

LUMATEK
PROFESSIONAL LIGHTING

 **MANUAL**

ZEUS 600W 2.6

ENGLISH - FRENCH - ITALIAN - SPANISH - GERMAN - CZECH - RUSSIAN



LUMATEK ZEUS 600W 2.6 LED MANUAL

ENGLISH

TABLE OF CONTENTS

1. **Introduction**
2. **Product Description**
3. **Product information and specifications**
 - 3.1 General product information
 - 3.2 Technical Specifications
 - 3.3 Fixture Dimensions
 - 3.4 Spectral Quantum Distribution Graph
 - 3.5 Light distribution curve
 - 3.6 Environment
 - 3.7 Legal
4. **Safety recommendations and warnings**
5. **Contents**
6. **Installation**
 - 6.1 Fixture assembly & installation
 - 6.2 Connect the LED Light Bars
 - 6.3 Connect & disconnect the driver
 - 6.4 Changing and replacing light bars and modular use
 - 6.5 Installing the fixture
 - 6.6 Connecting the manual dimmer or external lighting controller
 - 6.7 Connecting fixtures in series for external control
 - 6.8 Connecting the LED fixture to the mains
7. **Precautions when using the LED fixture**
8. **Inspection, maintenance and repair**
9. **Storage and disposal**
10. **Warranty**

1. INTRODUCTION

Thank you for purchasing the Lumatek Zeus 600W 2.6 linear multi-light bar LED fixture. This manual describes how to install and use the Zeus fixture; please read this manual thoroughly before attempting to install or operate any Lumatek Zeus Series system. If you are not comfortable with the installation of high performance lighting systems, you should seek the services of a qualified installation professional.

2. PRODUCT DESCRIPTION

The Lumatek Zeus 600W 2.6 LED is an electronic horticultural LED fixture using a linear array design with six 100W 'Full Spectrum' LED light bars and an intelligent driver making the fixture externally controllable & dimmable. The ZUES 600W 2.6 fixture is an ultra-high performance full-cycle top lighting solution for commercial horticulture cultivation & indoor farming, with the power and flexibility to scale from propagation and cloning through vegetative growth to higher light intensities in bloom.

In this manual the Lumatek Zeus 600W 2.6 LED will be referred to as: "the LED fixture".

3. PRODUCT INFORMATION AND SPECIFICATIONS

3.1 General Product Information

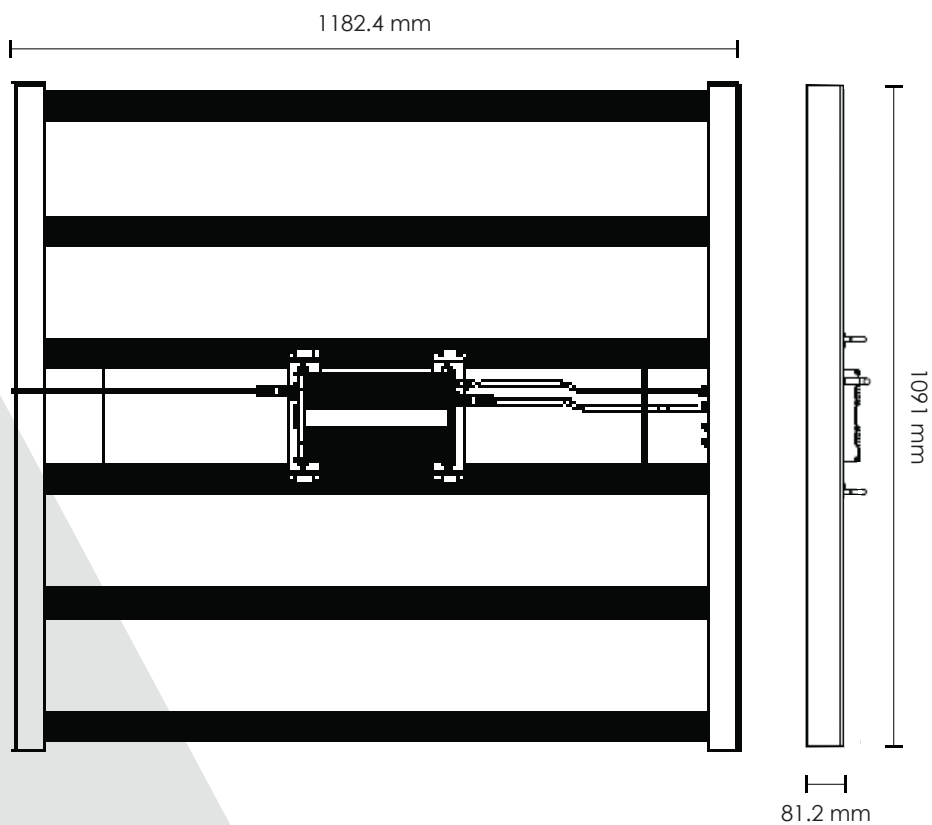
| | |
|--------------|-------------------|
| PRODUCT NAME | Zeus 600W 2.6 LED |
| PRODUCT CODE | LUMLED020 |
| MANUFACTURER | Lumatek Ltd |
| EAN | 5060560031789 |
| PLUG TYPE | UK/EU |

3.2 Technical Specifications

| | |
|----------------------------------|--|
| PPF | 1570 $\mu\text{mol/s}$ |
| EFFICACY | Up to 2.6 $\mu\text{mol/J}$ |
| SPECTRUM | Full spectrum |
| LIGHT SOURCE | Higher spec LUMILEDS (W) & Osram (R) LED |
| DIMENSIONS | 1091 x 1182.4 x 81.2mm |
| WEIGHT | 13.5Kg |
| LIFE SPAN | 60000H |
| WORKING TEMPERATURE | -20° -- +40°C |
| WORKING HUMIDITY | 20% - 90% |
| WATERPROOF/DUSTPROOF | IP65 |
| BEAM ANGLE | 120° |
| MANUAL DIM/ EXTERNAL LIGHTING | 0-10V analog protocol |

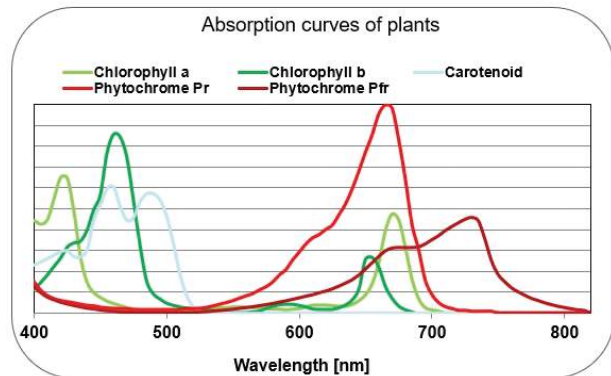
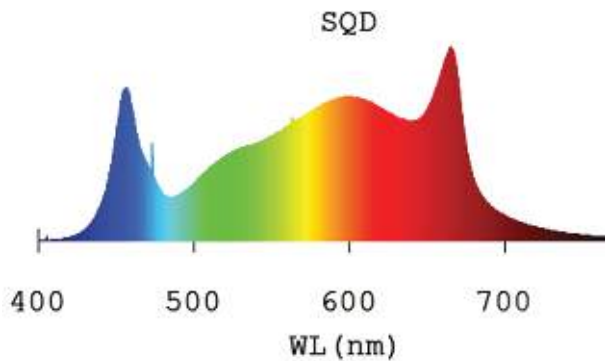
| INPUT VOLTAGE (V) | DIMMING RATIO | INPUT POWER(W) | INPUT CURRENT(A) |
|---------------------------|---------------|----------------|------------------|
| Vmains=230V 50/60Hz AC | 100% | 623 | 2.76 |
| | 75% | 481 | 2.15 |
| | 50% | 309 | 1.42 |
| | 25% | 160 | 0.81 |
| Vmains=240V 50/60Hz AC | 100% | 623 | 2.65 |
| | 75% | 481 | 2.07 |
| | 50% | 309 | 1.37 |
| | 25% | 161 | 0.8 |
| Vmains=277V 50/60Hz AC | 100% | 621 | 2.32 |
| | 75% | 480 | 1.84 |
| | 50% | 304 | 1.23 |
| | 25% | 162 | 0.74 |

3.3 Fixture Dimensions

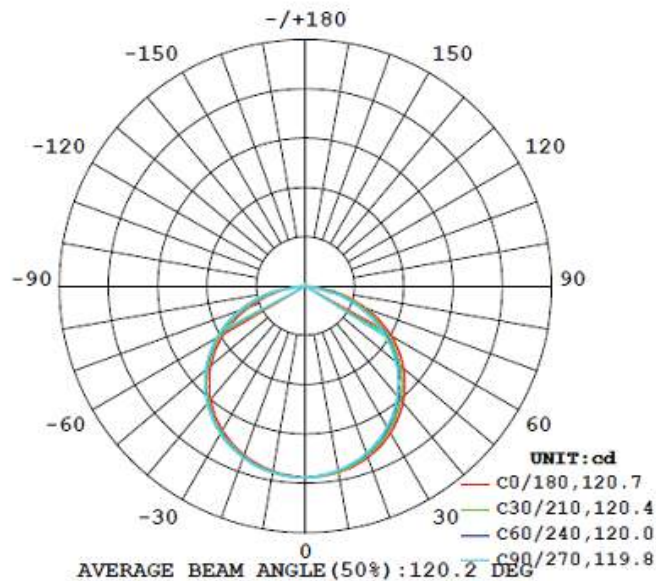


3.4 Spectral Quantum Distribution Graph

The Zeus Pro series use higher spec highly efficient top bin horticultural white & red LEDs to create a balanced full spectrum of quality light ideal for photosynthesis.



3.5 Light distribution curve



3.6 Environment

The LED fixture is intended to be used in climate-controlled grow rooms and indoor farms. The product may be used in damp environments but may not be used in wet environments or outdoors. The product will operate in ambient temperatures from -10°C to 40°C but will function at optimal level between 20°C to 30°C. The product will operate in 20% – 90% humidity, non-condensing.

3.7 Legal

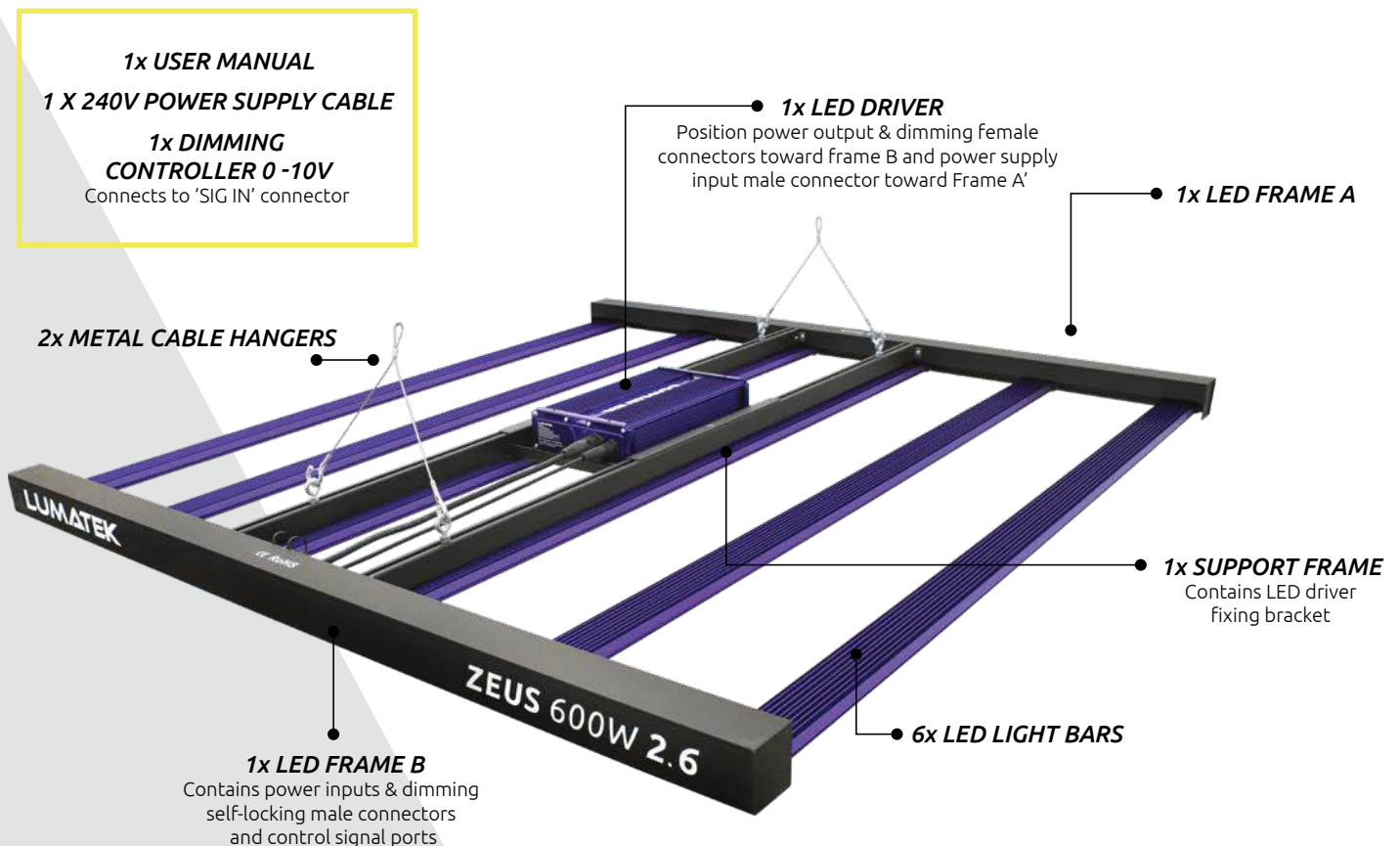
This product is CE certified compliant with LVD and EMC directive test standards.

4. SAFETY RECOMMENDATIONS AND WARNINGS

Warning! Carefully read the warnings below before using or working with the product!

- Always adhere to the local rules and regulations when installing or using the LED fixture.
- Do not open or disassemble the LED fixture as it contains no serviceable parts inside. Opening or modifying the LED fixture can be dangerous and will void the warranty.
- Do not use the LED fixture when either the LED fixture or its power cable are damaged. Replace the power cable with correctly rated cable only.
- Modifications to the cables can lead to unwanted electromagnetic effects which may make the product not comply with legal requirements.
- Do not expose the LED fixture to:
Condensing humidity, heavy mist or direct spray;
Ambient temperatures outside the specified range;
Dust and contamination;
Direct sunlight during use or HID light that may heat up the driver.
- Always disconnect the LED fixture from mains before performing any maintenance.
- Always allow for a cool down period of at least 20-30 minutes before touching the LED light bars. Touching the LED bars when the fixture is lit or immediately after may result in burns!
- Natural convection removes heat away from the heatsink. In order for the system to properly cool itself, at least 5cm of space is required between the fixture and the roof of your grow area. Do not use abrasive materials or aggressive cleaning agents to clean the LED fixture as this may damage the secondary optics. Instead use a clean dry fabric/cloth.
- Do not use the LED fixture near flammable, explosive or reactive substances. The LED fixture can reach temperatures of 40°C.
- Do not use sulphur vaporizers or water misters.
- The installation and use of the LED fixture is the responsibility of the end user. Incorrect use or installation can lead to failure and damage to the LED fixture. Damage to the LED fixture and electronic circuitry as a result of incorrect installation and use revokes the warranty.

5. CONTENTS



6. INSTALLATION

Warning! Mounting and installing the LED fixture must be in accordance with the applicable local laws and regulations.

Warning! The installer is responsible for correct and safe installation.

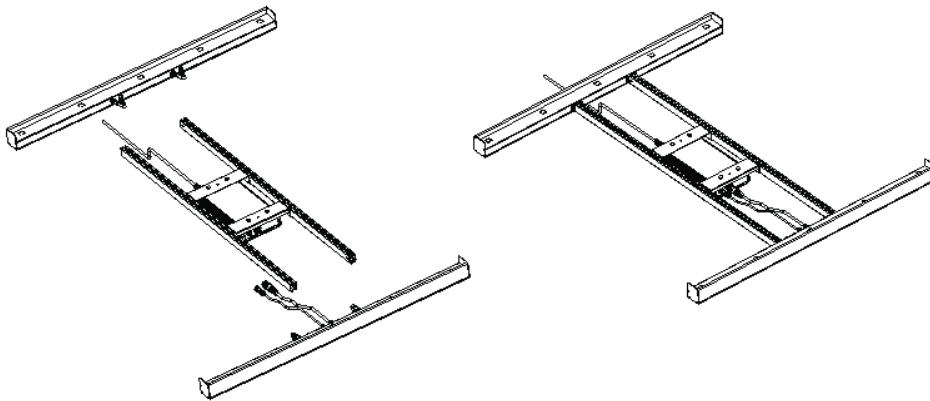
Warning! Ensure the local cabling can support the voltage and current requirements of the LED fixture.

Warning! Avoid coiled cables and keep mains leads separated to help prevent electromagnetic interference.

Warning! Do not connect or disconnect the LED fixture under load.

6.1 Fixture assembly & installation

Connect Frame A and B to the support frame by pressing button on frame connector and inserting into support frame socket and lock. Ensure button clicks into hole socket to lock.

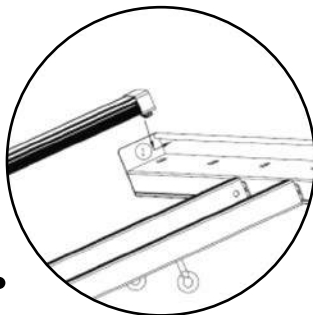


Connect Frame B to support frame end near LED driver power output & dimming female connectors.

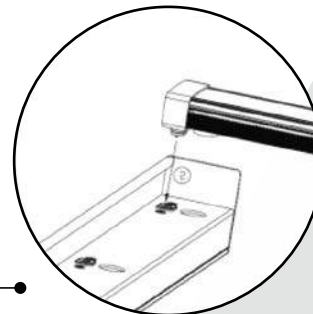
Note the direction when installing; the driver tray is on top when the fixture is hung.

6.2 Connect the LED Light Bars

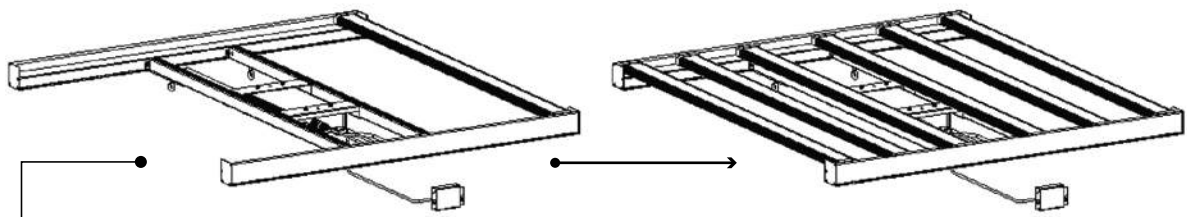
Warning! The light bars are shipped with protective plastic covers over the diodes. Please ensure these protective covers are removed before use!



Install hook end first; insert hook into square hole



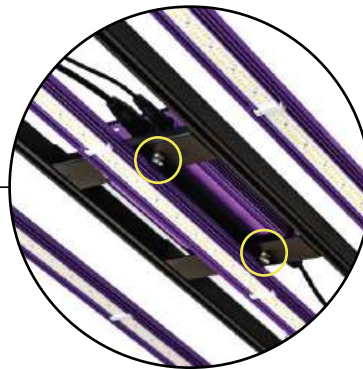
Then insert the other end; align the light bar's magnet connector with the round hole on Frame connector and insert male pin into female socket. Ensure magnetic connection is secure.



- Assemble the rest of the light bars into the fixture frame.

6.3 Connect & disconnect the driver

LED driver mounting
retention screws



The LED driver is fixed to the mounting bracket with retention screws through bracket into driver base plate. For greater flexibility the driver can be disconnected from the fixture and used remotely using Lumatek 5m LED driver extension cables (sold separately).



To connect driver output and dimming control to fixture, ensure the power and dimming self-locking male connectors are correctly aligned with corresponding female connectors on driver and push together until click-locked.

To disconnect; turn male connector anti-clockwise to unlock and pull apart from female.

6.4 Changing and replacing light bars and modular use

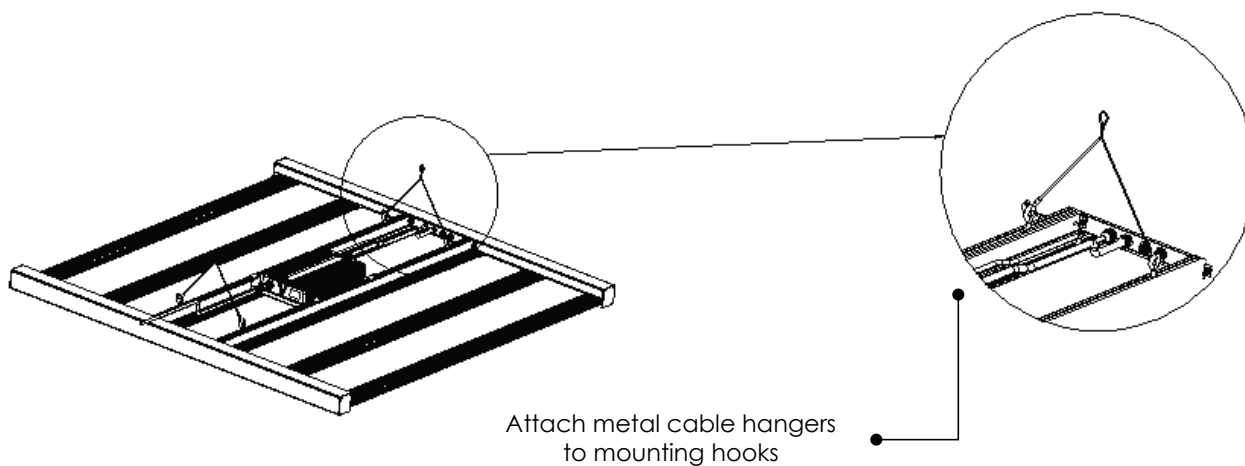
The LED fixture's modular design uses an intelligent LED driver which can decrease or increase power to match the amount of 100W light bars installed in the fixture automatically. If not all light bars are required, the driver will only draw power required for the amount of light bars connected eg if three light bars are connected the driver will only draw 300W to power them.

Warning! At least one light bar must be installed in the fixture before switching on.

6.5 Installing the fixture

Warning! Mount the system to something that can hold the weight of the LED fixture.

Ensure all light bars are installed correctly and are secure. Carefully turn the fixture over and attach the metal cable hangers to the mounting hooks. Hang the fixture in required position and height. For optimal performance; position fixture 30 - 50cm above plant canopy for a 1.4 x 1.4m light spread. Ensure the fixture is hung horizontally.



6.6 Connecting the manual dimmer or external lighting controller

The dimmer control or lighting controller is connected to the 'SIG IN' connector on the fixture frame. This enables light intensity (PPF output) to be adjusted according to requirement. The LED fixture light intensity can be adjusted without changing relative spectral power distribution or losing efficiency.

Remove dust cap and ensure male & female connectors are correctly aligned and then push together until click-locked. To disconnect; turn twist-lock anti-clockwise and pull apart.



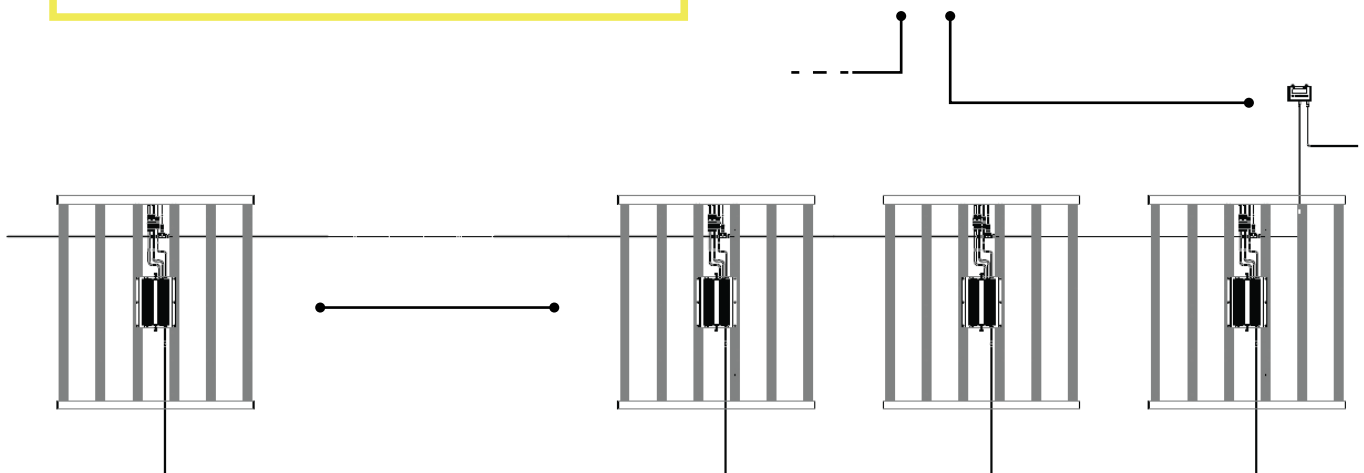
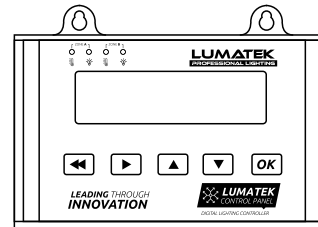
Connect manual dimmer cable or lighting controller cable to SIGNAL IN port.

6.7 Connecting fixtures in series for external control

For detailed instructions please refer to the Lumatek Control Panel manual.

Position and hang each fixture appropriately. Zeus series fixtures use 0-10V signal protocol for control.

- Connect controller output signal cable to fixture 1 SIGNAL IN connector. Connect daisy-chain control signal cable (sold separately) from fixture 1 SIGNAL OUT connector to fixture 2 SIGNAL IN connector.
- Continue to connect fixtures in series for up to 100 fixtures per controller, see Fig.



6.8 Connecting the LED fixture to the mains

Warning! Make sure mains power is switched off.

Warning! Ensure the power supply cable is not coiled and does not touch any hot surfaces.

Warning! Connect the cables according to local rules, safety regulations and electrical code.

Warning! If not using an external lighting controller ensure external switching gear can cope with the inrush current of the LED fixture. Always use a timer contactor suitable for switching a capacitive load. Never use household timers to switch the LED fixture!

Warning! Do not connect or disconnect the LED fixture under load.

Ensure the LED driver power supply cable self-locking female connector is correctly aligned to the corresponding male connector on driver and push together until click-locked. To disconnect; turn twist-lock connector anti-clockwise to unlock and pull apart from driver.

Connect mains power plug to switching gear/power supply.

Switch on mains power.

7. PRECAUTIONS WHEN USING THE LED FIXTURE

Warning! Always ensure at least one light bar is connected to the fixture before switching on. The Zeus fixture has an intelligent LED driver which can increase or decrease power to match the amount of light bars connected to the system automatically.

Warning! Always wait 20 – 30 minutes for the LED light bars to cool down before handling the fixture.

8. INSPECTION, MAINTENANCE AND REPAIR

Warning! Disconnect the LED fixture from mains before performing any maintenance or repairs.

Warning! Do not connect or disconnect the LED fixture under load.

Warning! Do not open or disassemble the LED fixture, it contains no serviceable parts inside. Opening the LED fixture can be dangerous and will void the warranty.

Warning! Always wait 20 – 30 minutes for the LED light bars to cool down before handling.

Caution! Do not clean the LED fixture with detergents, abrasives or other aggressive substances.

Regularly check the LED fixture for dust or dirt build up. Clean if necessary. Contamination may cause overheating and decreased performance. Clean the outside of the LED fixture using a dry or damp cloth.

Regularly check the cables of the LED fixture to ensure it is undamaged.

9. STORAGE AND DISPOSAL

Store the LED fixture in a dry and clean environment, with an ambient temperature of -25°C to 55°C. The product must not be discarded as unsorted municipal waste but must be collected separately for the purpose of treatment, recovery and environmentally sound disposal.

10. WARRANTY

Lumatek warrants the mechanical and electronic components of their product to be free of defects in material and workmanship if used under normal operating conditions for a period of five (5) years from the original date of purchase. If the product shows any defects within this period and that defect is not due to user error or improper use Lumatek shall, at its discretion, either replace or repair the product using suitable new or reconditioned products or parts. In case Lumatek decides to replace the entire product, this limited warranty shall apply to the replacement product for the remaining initial warranty period, i.e. five (5) years from the date of purchase of the original product. For service; return the product to your shop with the original sales receipt.

MANUAL ZEUS 600W 2.6 LED DE LUMATEK

ESPAÑOL

TABLA DE CONTENIDO

1. **Introducción**
2. **Descripción del producto**
3. **Información y especificaciones del producto**
 - 3.1 Información general del producto
 - 3.2 Especificaciones técnicas
 - 3.3 Dimensiones de la luminaria
 - 3.4 Gráfico de distribución cuántica espectral
 - 3.5 Curva de distribución luminosa
 - 3.6 Medio Ambiente
 - 3.7 Legal
4. **Recomendaciones de seguridad y advertencias**
5. **Contenido**
6. **Instalación**
 - 6.1 Montaje e instalación de accesorios
 - 6.2 Conectar las barras de luz LED
 - 6.3 Conectar y desconectar el controlador
 - 6.4 Cambio y sustitución de barras luminosas y uso modular
 - 6.5 Instalación de la luminaria
 - 6.6 Conexión del regulador manual o del controlador de iluminación externo
 - 6.7 Conexión de luminarias en serie para control externo
 - 6.8 Conexión de la luminaria LED a la red eléctrica
7. **Precauciones al usar el dispositivo LED**
8. **Inspección, mantenimiento y reparación**
9. **Almacenamiento y eliminación**
10. **Garantía**

1. INTRODUCCIÓN

Muchas gracias por comprar el Lumatek Zeus 600W 2.6 lineal de barra de luz LED.' El presente manual describe cómo instalar y usar la luminaria Zeus ; por favor lea este manual detenidamente antes de intentar u operar cualquier sistema de la serie Zeus de Lumatek. Si usted no se siente cómodo con la instalación de sistemas de iluminación de alto rendimiento, por favor busque los servicios de un profesional de instalación calificado.

2. DESCRIPCIÓN DEL PRODUCTO

El Lumatek Zeus 600W 2.6 LED es una luminaria LED hortícola electrónico que utiliza un diseño de matriz lineal con seis barras de luz LED «Full Spectrum» de 100W y un controlador inteligente que hace que el dispositivo sea controlable y regulable externamente. La luminaria ZUES 600W 2.6 es una solución de iluminación superior de ciclo completo de ultra alto rendimiento para el cultivo de horticultura comercial, con la potencia y la flexibilidad de escalar desde la propagación y la clonación a través del crecimiento vegetativo hasta mayores intensidades lumínicas en floración.

En el presente manual, el Lumatek Zeus 600W 2.6 LED se le conocerá como: "la luminaria LED".

3. INFORMACIÓN Y ESPECIFICACIONES DEL PRODUCTO

3.1 Información general del producto

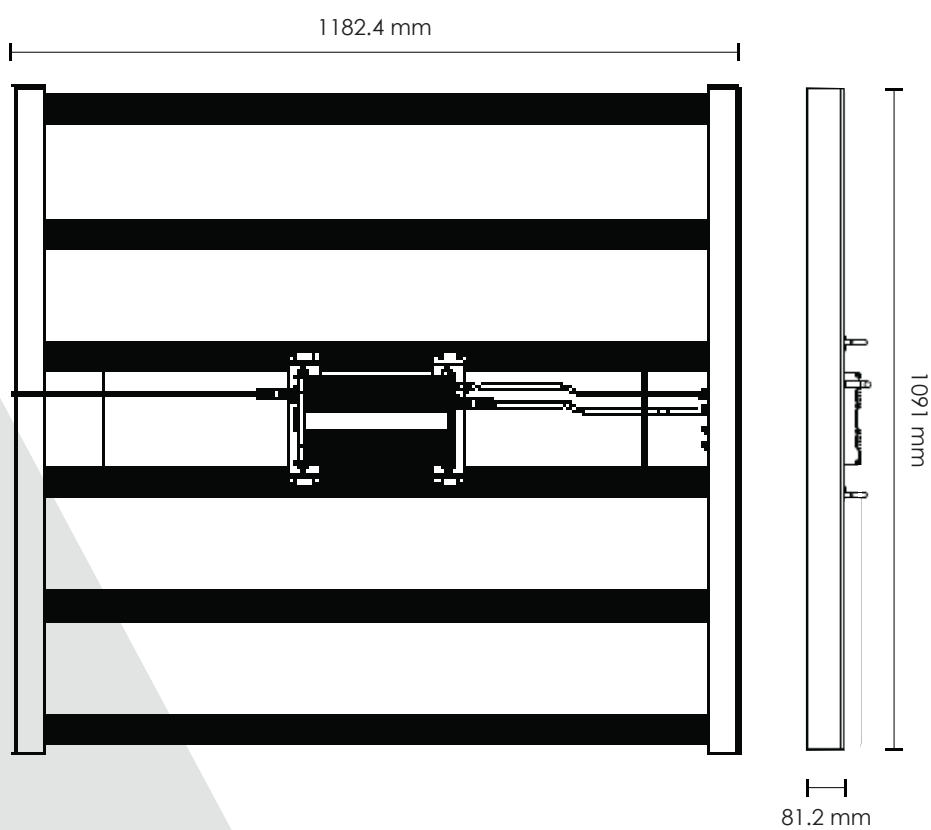
| | |
|---------------------|-------------------|
| NOMBRE DEL PRODUCTO | Zeus 600W 2.6 LED |
| NÚMERO DE PARTE | LUMLED020 |
| FABRICANTE | Lumatek EU |
| EAN | 5060560031789 |
| TIPO DE ENCHUFE | REINO UNIDO/EU |

3.2 Especificaciones técnicas

| | |
|--|--|
| PPF | 1570 $\mu\text{mol/s}$ |
| EFICACIA | Hasta 2.6 $\mu\text{mol/J}$ |
| SPECTRO | Espectro completo |
| FUENTE DE LUZ | Especificaciones superiores LUMILEDS (W) & Osram (R) LED |
| DIMENSIONES | 1091 x 1182.4 x 81.2mm |
| PESO | 13.5Kg |
| ESPERANZA DE VIDA | 60000H |
| TEMPERATURA DE FUNCIONAMIENTO | -20° -- +40°C |
| HUMEDAD DE TRABAJO | 20% - 90% |
| IMPERMEABLE / A PRUEBA DE POLVO | IP65 |
| ÁNGULO DE HAZ | 120° |
| ATENUADOR MANUAL / CONTROLADOR DE ILUMINACIÓN EXTERNA | Protocolo de señal 0-10V |

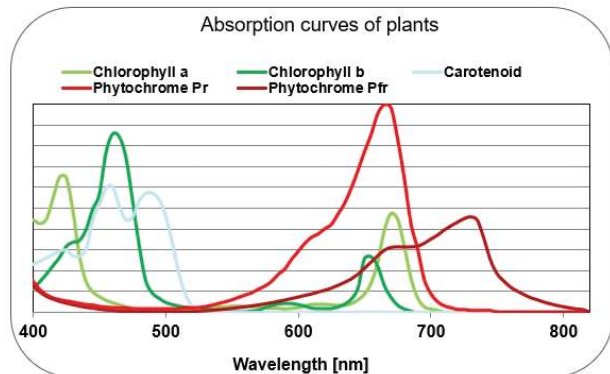
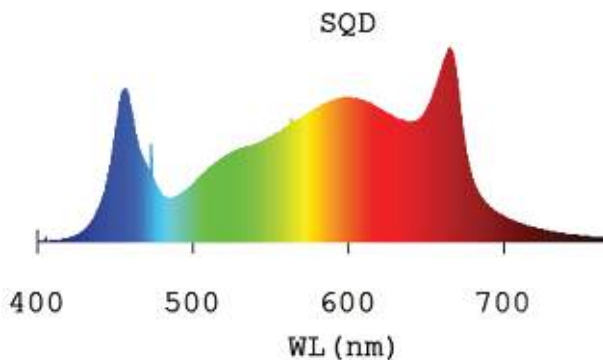
| VOLTAJE DE ENTRADA (V) | RELACIÓN DE ATENUACIÓN | POTENCIA DE ENTRADA (W) | CORRIENTE DE ENTRADA (A) |
|---------------------------|------------------------|-------------------------|--------------------------|
| Vmains=230V 50/60Hz AC | 100% | 623 | 2.76 |
| | 75% | 481 | 2.15 |
| | 50% | 309 | 1.42 |
| | 25% | 160 | 0.81 |
| Vmains=240V 50/60Hz AC | 100% | 623 | 2.65 |
| | 75% | 481 | 2.07 |
| | 50% | 309 | 1.37 |
| | 25% | 161 | 0.8 |
| Vmains=277V 50/60Hz AC | 100% | 621 | 2.32 |
| | 75% | 480 | 1.84 |
| | 50% | 304 | 1.23 |
| | 25% | 162 | 0.74 |

3.3 Dimensiones de la luminaria

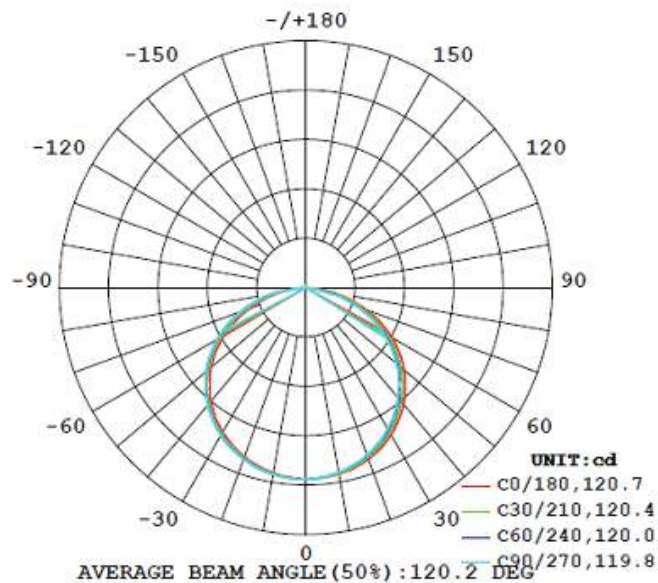


3.4 Gráfico de distribución cuántica espectral

La serie Zeus Pro utiliza LEDs blancos y rojos hortícolas altamente eficientes de alta eficiencia para crear un espectro completo equilibrado de luz de calidad ideal para la fotosíntesis.



3.5 Curva de distribución luminosa



3.6 Medio ambiente

La luminaria LED está diseñado para ser utilizado en salas de cultivo con clima controlado, granjas interiores e invernaderos. El producto puede usarse en ambientes húmedos, pero no puede usarse en ambientes húmedos o al aire libre.

El producto funcionará a temperaturas ambiente de -10°C a 40°C, pero funcionará a un nivel óptimo entre 20°C y 30°C.

El producto funcionará en 20% - 90% de humedad, sin condensación.

3.7 Legal

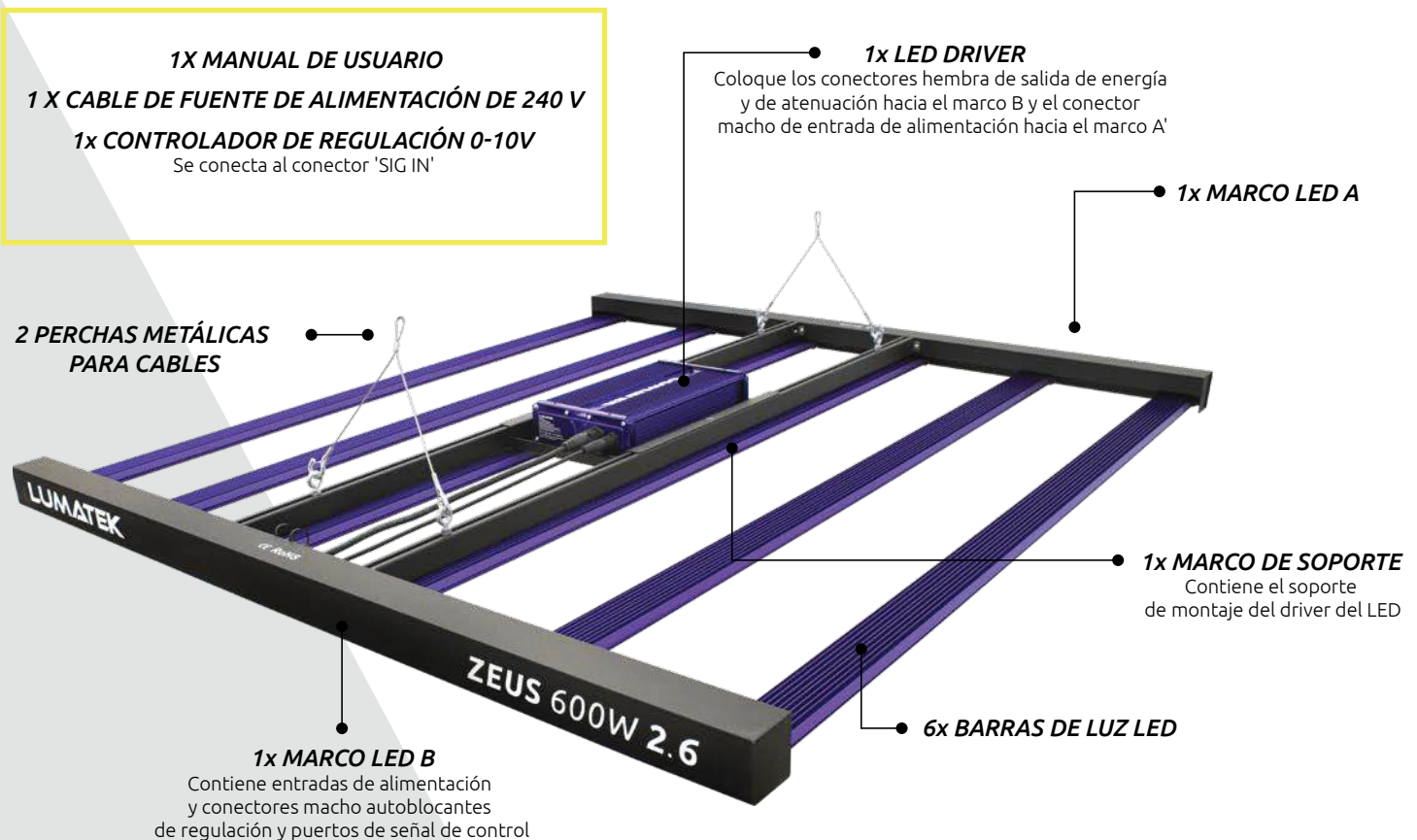
Este producto cuenta con la certificación CE y cumple con los estándares de prueba de directivas LVD y EMC.

4. RECOMENDACIONES DE SEGURIDAD Y ADVERTENCIAS

Warning! ¡Por favor lea atentamente las siguientes advertencias antes de usar o trabajar con el producto!

- Siempre siga las reglas y regulaciones locales al instalar o usar la luminaria LED.
- No abra ni desmonte la luminaria LED, ya que no contiene piezas reparables en su interior. El abrir o modificar la luminaria LED puede ser peligroso y anulará la garantía.
- No utilice el la luminaria LED cuando la luminaria LED o su cable de alimentación estén dañados. Reemplace el cable de alimentación solo con un cable con clasificación correcta.
- Las modificaciones en los cables puede dar lugar a efectos electromagnéticos no deseados, lo que hace que el producto no cumpla con los requisitos legales.
- No exponga el dispositivo LED a:
Humedad condensada, neblina intensa, neblina o rociado directo;
Temperaturas ambiente fuera del rango especificado;
Polvo y contaminación;
Luz solar directa durante el uso o luz HID que podría calentar el balasto.
- Siempre desconecte el dispositivo de la red eléctrica antes de realizar cualquier mantenimiento.
- Siempre permita un período de enfriamiento de al menos 20-30 minutos antes de tocar la luminaria LED. ¡El tocar la luminaria LED cuando el dispositivo está encendido o inmediatamente después puede provocar quemaduras!
- La convección natural elimina el calor del disipador térmico. Para que el sistema pueda enfriarse bien, se requiere al menos 5 cm de espacio entre la luminaria y el techo de su área de cultivo.
- Por favor no utilice materiales abrasivos o agentes de limpieza agresivos para limpiar la luminaria LED, ya que esto puede dañar la óptica secundaria. En su lugar, utilice un paño limpio, húmedo o seco.
- No utilice el dispositivo cerca de sustancias inflamables, explosivas o reactivas. La luminaria LED puede alcanzar temperaturas de 40°C.
- No use vaporizadores de azufre o agua pulverizada.
- La instalación y el uso del dispositivo son responsabilidad del usuario final. El uso o una instalación incorrecta pueden provocar fallas y daños en la luminaria LED. El daño a la luminaria LED y a los circuitos electrónicos como resultado de una instalación y uso incorrecto revocará la garantía.

5. CONTENIDO



6. INSTALACIÓN

¡Advertencia! El montaje e instalación de la luminaria LED debe realizarse de acuerdo con las leyes y regulaciones locales aplicables.

¡Advertencia! El instalador tiene la responsabilidad de una instalación correcta y segura.

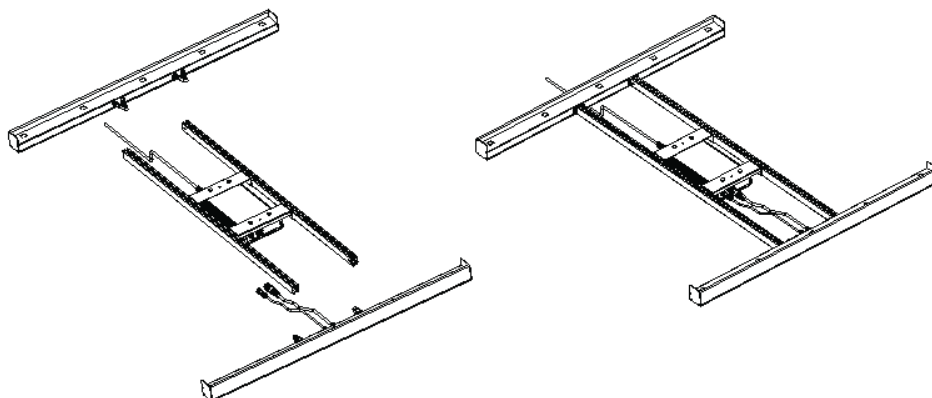
¡Advertencia! Por favor asegúrese que el cableado local pueda soportar los requisitos de voltaje y corriente del dispositivo.

¡Advertencia! Evite los cables en espiral y mantenga los cables de alimentación separados para ayudar a evitar interferencias electromagnéticas.

¡Advertencia! No conecte ni desconecte el dispositivo LED bajo carga.

6.1 Montaje e instalación de accesorios

Conecte el Marco A y B al marco de soporte presionando el botón en el conector del marco e insertándolo en el zócalo y bloqueo del marco de soporte. Asegúrese que el botón haga clic en el enchufe del agujero para bloquearlo.

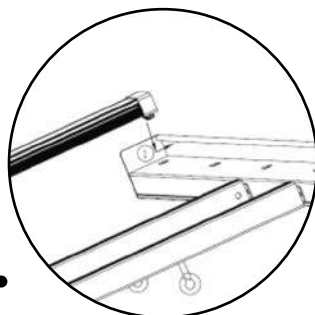


Conecte el marco B para apoyar el extremo del marco cerca de la salida de alimentación del controlador LED y conectores hembra de atenuación.

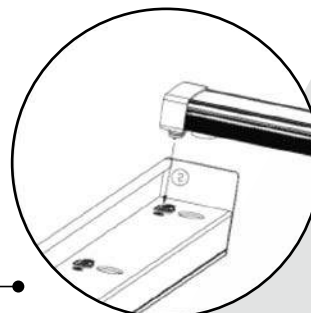
Tenga en cuenta la dirección al instalar; el soporte de montaje del controlador LED se encuentra en la parte superior cuando se cuelga la luminaria.

6.2 Conectar las barras de luz LED

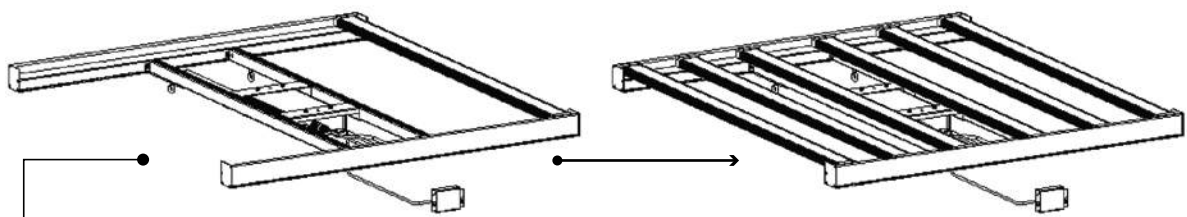
¡Advertencia! Las barras de luz se envían con cubiertas protectoras de plástico sobre los diodos. Asegúrese de quitar estas fundas protectoras antes de usar.



Instale primero el extremo del gancho; inserte el gancho en el orificio cuadrado



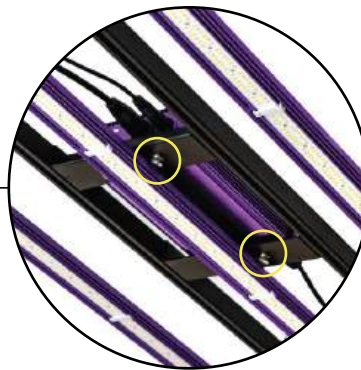
Posteriormente, inserte el otro extremo; alinee el conector magnético de la barra de luces con el orificio redondo del conector del marco e inserte el pasador macho en la toma hembra. Asegúrese que la conexión magnética sea segura.



- Ensamble el resto de las barras de luz en el marco de la instalación.

6.3 Conectar y desconectar el controlador

Tornillos de retención de montaje del conductor del LED



El driver LED se fija al soporte de montaje con tornillos de retención que atraviesan el soporte hasta la placa base del driver. Para una mayor flexibilidad, el controlador se puede desconectar del dispositivo y utilizarse de manera remota utilizando cables de extensión LED Lumatek 5m (se venden por separado).



Para conectar la salida del driver y el control de regulación a la luminaria, asegúrese que los conectores macho de alimentación y regulación están correctamente alineados con los conectores hembra correspondientes en el driver y empújelos hasta que encajen.

Para desconectar; gire el conector macho en sentido contrario a las agujas del reloj para desbloquear y separar de la hembra.

6.4 Cambio y sustitución de barras luminosas y uso modular

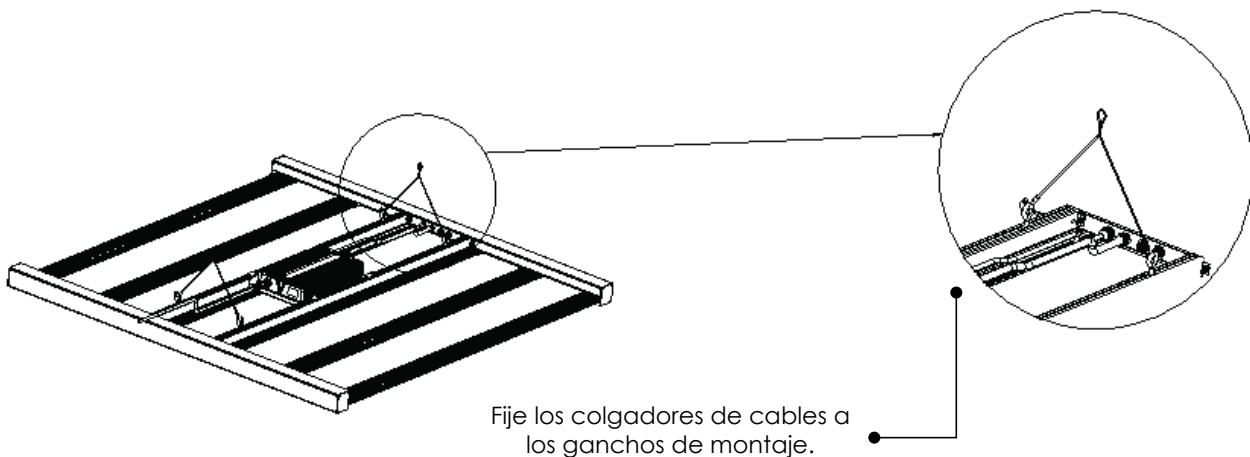
El diseño modular de la luminaria LED utiliza un controlador LED inteligente que puede disminuir o aumentar la potencia para adaptarse a la cantidad de barras luminosas de 100 W instaladas en la luminaria de forma automática. Si no se necesitan todas las barras de luz, el controlador sólo consumirá la energía necesaria para la cantidad de barras de luz conectadas, por ejemplo, si se conectan tres barras de luz, los controladores sólo consumirán 300 W para alimentarlas.

¡Advertencia! Se debe instalar al menos una barra de luz en el dispositivo antes de encenderlo.

6.5 Instalación de la luminaria

¡Advertencia! Monte el sistema en algo que pueda soportar el peso de la luminaria LED.

Asegúrese que todas las barras de luz estén instaladas correctamente y sean seguras. Con cuidado, gire el dispositivo y conecte los ganchos de cable de metal a los ganchos de montaje. Cuelgue el dispositivo en la posición y altura requeridas. Para un rendimiento óptimo, coloque el aparato entre 30 y 50 cm por encima de la copa de la planta para una distribución de la luz de 1.4 x 1.4 m. Asegúrese que la luminaria esté colgada horizontalmente.



6.6 Conexión del regulador manual o del controlador de iluminación externo

El control del dimmer o el controlador de iluminación se conecta al conector 'SIG IN' en el marco de la luminaria. Esto permite ajustar la intensidad de luz (salida PPF) de acuerdo con los requisitos. La intensidad de la luz de la luminaria LED se puede ajustar sin cambiar la distribución de potencia espectral relativa ni perder eficiencia.

Retire la tapa antipolvo y asegúrese que los conectores macho y hembra estén correctamente alineados y, a continuación, empuje juntos hasta que se bloqueen por clic. Para desconectar, gire el cierre giratorio en sentido antihorario y jálalo.



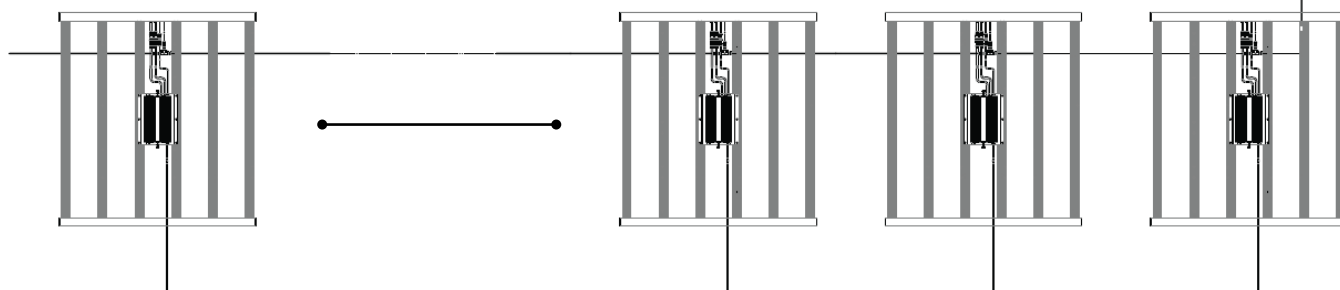
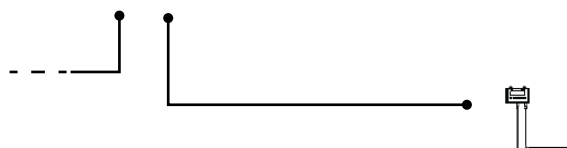
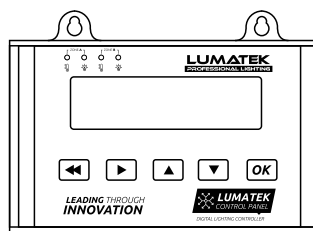
Conecte el cable del regulador manual o el cable del controlador de iluminación al puerto SIGNAL IN

6.7 Conexión de luminarias en serie para control externo

Para obtener instrucciones detalladas, por favor consulte el manual del panel de control de Lumatek.

Coloque y cuelgue cada luminaria adecuadamente. Las luminarias de la serie Zeus utilizan el protocolo de señal 0-10V para el control.

- Conecte el cable de señal de salida del controlador al conector SIGNAL IN del aparato 1.
Conecte el cable de señal de control de cadena en margarita (se vende por separado) del conector SIGNAL OUT del accesorio 1 al conector SIGNAL IN del accesorio 2.
- Continúe conectando las luminarias en serie para un máximo de 100 dispositivos por controlador, consulte la fig.



6.8 Conexión de la luminaria LED a la red eléctrica

¡Advertencia! Por favor asegúrese que la red eléctrica esté apagada.

¡Advertencia! Asegúrese que el cable de alimentación no esté enrollado y que no toque ninguna superficie caliente.

¡Advertencia! Conecte los cables de acuerdo con las normas locales, las normas de seguridad y el código eléctrico.

¡Advertencia! Si no utiliza un controlador de iluminación externo, asegúrese que el equipo de conmutación externo pueda hacer frente a la corriente de entrada de la luminaria LED. Utilice siempre un contactor temporizador adecuado para cambiar una carga capacitiva. ¡Nunca use temporizadores domésticos para cambiar la luminaria LED!

¡Advertencia! No conecte ni desconecte el dispositivo LED bajo carga.

Asegúrese que el conector hembra del cable de alimentación del conductor del LED esté alineado correctamente con el conector macho correspondiente del conductor y presione junto hasta que se bloquee con el clic.

Para desconectar, gire el conector hembra en sentido contrario a las agujas del reloj para desbloquear y separar del conductor.

Conecte el enchufe de alimentación de la red a cambio de engranaje/fuente de alimentación

Encienda la alimentación de red.

7. PRECAUCIONES AL USAR EL DISPOSITIVO LED

¡Advertencia! Asegúrese siempre que al menos una barra de luz esté conectada al dispositivo antes de encenderla. La luminaria Zeus Pro cuenta con un controlador LED inteligente que puede aumentar o disminuir la potencia para adaptarse a la cantidad de barras luminosas conectadas al sistema de forma automática.

¡Advertencia! Espere siempre entre 20 y 30 minutos a que las barras de luces LED se enfríen antes de manipular la lámpara.

8. INSPECCIÓN, MANTENIMIENTO Y REPARACIÓN

¡Advertencia! Siempre desconecte el dispositivo de la red eléctrica antes de realizar cualquier mantenimiento.

¡Advertencia! No conecte ni desconecte el dispositivo LED bajo carga.

¡Advertencia! No abra ni desmonte la luminaria LED, ya que no contiene piezas reparables en su interior. El abrir o modificar la luminaria LED puede ser peligroso y anulará la garantía.

¡Advertencia! Siempre espere de 20 a 30 minutos para que las barras de luz LED se enfríen.

¡Precaución! No limpie el dispositivo con detergentes, abrasivos u otras sustancias agresivas.

Revise regularmente el dispositivo para detectar la presencia de polvo o suciedad acumulada. Límpielo de ser necesario. La contaminación puede causar sobrecalentamiento y disminución del rendimiento. Limpie el exterior de la lámpara LED con un paño seco o húmedo.

Compruebe regularmente el cableado del producto para asegurarse que no esté dañado.

9. ALMACENAMIENTO Y ELIMINACIÓN

Almacene la luminaria en un ambiente seco y limpio, con una temperatura ambiente de -25°C a 55°C. No deseche el producto como residuo municipal sin antes clasificarlo, ya que debe recogerse por separado con fines de tratamiento, recuperación y eliminación ambientalmente racional.

10. GARANTÍA

Lumatek garantiza que los componentes mecánicos y electrónicos de su producto estén libres de defectos de material y mano de obra si se utilizan en condiciones normales de funcionamiento durante un período de cinco (5) años a partir de la fecha original de compra. Si el producto muestra algún defecto dentro de este período y ese defecto no se debe a un error del usuario o uso indebido, Lumatek deberá, a su discreción, reemplazar o reparar el producto con productos o piezas nuevas o reacondicionadas. En caso de que Lumatek decida sustituir todo el producto, esta garantía limitada se aplicará al producto de reemplazo durante el período de garantía inicial restante, es decir, cinco (5) años a partir de la fecha de compra del producto original. Para ser atendido, devuelva la luminaria a su tienda con el recibo de compra original.

LUMATEK ZEUS 600W 2.6

HANDBUCH

DEUTSCH

INHALTSVERZEICHNISS

1. **Einführung**
2. **Produktbeschreibung**
3. **Produktinformation und Technische Daten**
 - 3.1 Allgemeine Informationen zum Produkt
 - 3.2 Technische Daten
 - 3.3 Abmessungen des Geräts
 - 3.4 Spektrale Quantenverteilungskurve
 - 3.5 Lichtverteilungskurve
 - 3.6 Rahmenbedingungen
 - 3.7 Rechtliches
4. **Sicherheitsempfehlungen und Warnhinweise**
5. **Inhalt**
6. **Montage**
 - 6.1 Montage und Installation des Geräts
 - 6.2 Anschließen der LED-Lichtleisten
 - 6.3 Anschließen & Abklemmen des Treibers
 - 6.4 Wechseln und Ersetzen von Lichtleisten und modularer Einsatz
 - 6.5 Montage des Geräts
 - 6.6 Anschließen des manuellen Dimmers oder der externen Lichtsteuerung
 - 6.7 Anschluss von Geräten in Reihe für externe Steuerung
 - 6.8 Anschluss des LED-Geräts an das Stromnetz
7. **Vorsichtsmaßnahmen bei der Verwendung des LED-Gerätes**
8. **Inspektion, Wartung und Reparatur**
9. **Lagerung und Entsorgung**
10. **Garantie und Gewährleistung**

1. EINLEITUNG

Vielen Dank, dass Sie sich für das Lumatek Zeus 600W 2.6 lineare Multi-Lichtleisten-LED-Gerät entschieden haben. Dieses Handbuch beschreibt die Montage und Verwendung des Zeus. Bitte lesen Sie dieses Handbuch sorgfältig durch, bevor Sie versuchen, ein System der Lumatek Zeus-Serie zu installieren oder zu bedienen. Wenn Sie mit der Installation von Hochleistungsbeleuchtungssystemen nicht vertraut sind, sollten Sie die Dienste eines qualifizierten Installateurs in Anspruch nehmen.

2. PRODUKTBESCHREIBUNG

Die Lumatek Zeus 600W 2.6 LED ist eine elektronische Gartenbau-LED-Leuchte mit einem linearen Array-Design mit sechs 100W 'Full Spectrum F' LED-Lichtleisten und einem intelligenten Treiber, der die Leuchte extern steuerbar & dimmbar macht. Das ZEUS 600W 2.6 Gerät ist eine ultrahochleistungsfähige, voll zyklische Top-Beleuchtungslösung für den kommerziellen Gartenbau, mit der Leistung und Flexibilität, um von der Anzucht und dem Klonen über das vegetative Wachstum bis hin zu höheren Lichtintensitäten für die Blüte zu skalieren. In diesem Handbuch wird die Lumatek Zeus 600W 2.6 LED als: "das LED-Gerät" bezeichnet.

3. PRODUKTINFORMATIONEN UND SPEZIFIKATIONEN

3.1 Allgemeine Produktinformationen

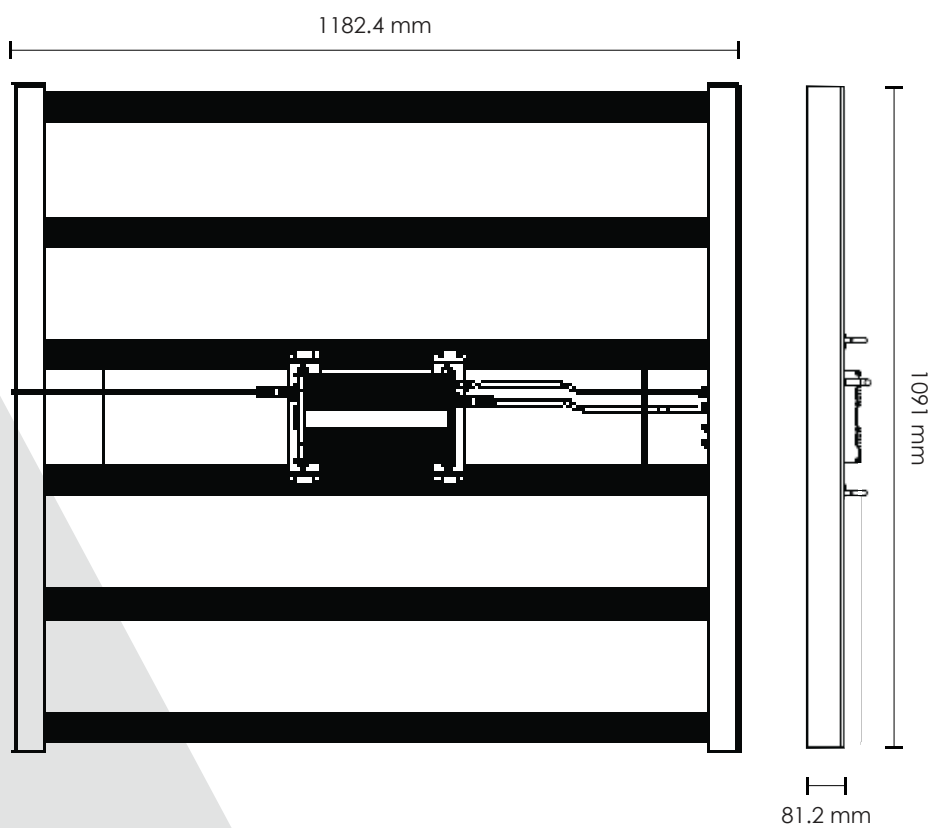
| | |
|--------------|-------------------|
| PRODUKTNAME | Zeus 600W 2.6 LED |
| PRODUKT-CODE | LUMLED020 |
| HERSTELLER | Lumatek EU |
| EAN | 5060560031789 |
| STECKERTYP | UK/EU |

3.2 Technische Spezifikationen

| | |
|---|---|
| PPF | 1570 $\mu\text{mol/s}$ |
| WIRKUNGSGRAD | bis zu 2.6 $\mu\text{mol/J}$ |
| SPEKTRUM | Vollspektrum |
| LICHTQUELLE | höhere Spezifikation LUMILEDS (W) & Osram (R) LED |
| ABMESSUNGEN | 1091 x 1182.4 x 81.2mm |
| GEWICHT | 13.5Kg |
| LEBENSDAUER | 60000H |
| BETRIEBSTEMPERATUR | -20° -- +40°C |
| BETRIEBSFEUCHTIGKEIT | 20% - 90% |
| WASSERDICHT / STAUBDICHT | IP65 |
| ABSTRAHLWINKEL | 120° |
| MANUELLES DIMMEN/ EXTERNE LICHTSTEUERUNG | 0-10V Signalprotokoll |

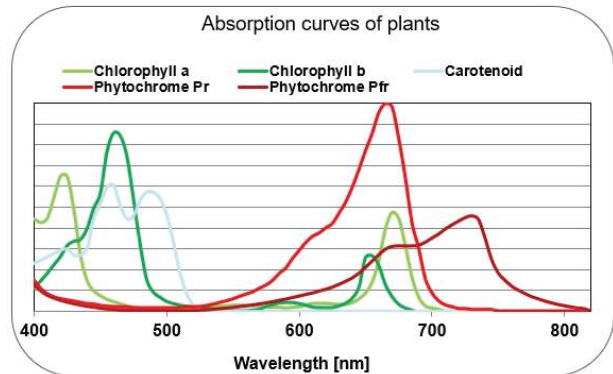
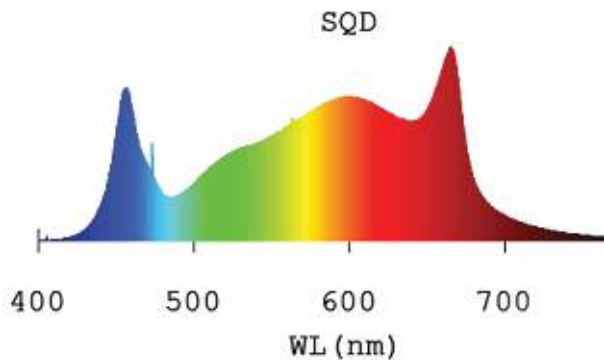
| EINGANGSSPANNUNG (V) | DIMMVERHÄLTNIS | EINGANGSLEISTUNG (W) | EINGANGSSTROM (A) |
|---------------------------|----------------|----------------------|-------------------|
| Vmains=230V 50/60Hz AC | 100% | 623 | 2.76 |
| | 75% | 481 | 2.15 |
| | 50% | 309 | 1.42 |
| | 25% | 160 | 0.81 |
| Vmains=240V 50/60Hz AC | 100% | 623 | 2.65 |
| | 75% | 481 | 2.07 |
| | 50% | 309 | 1.37 |
| | 25% | 161 | 0.8 |
| Vmains=277V 50/60Hz AC | 100% | 621 | 2.32 |
| | 75% | 480 | 1.84 |
| | 50% | 304 | 1.23 |
| | 25% | 162 | 0.74 |

3.3 Abmessungen des Geräts

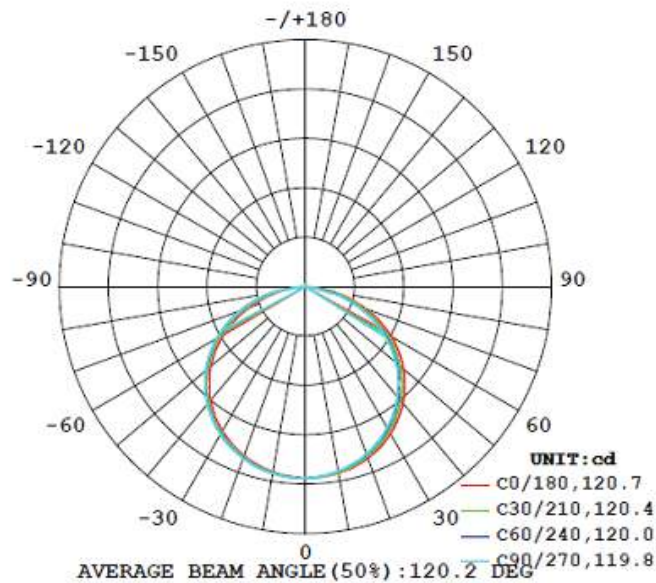


3.4 Diagramm der spektralen Quantenverteilung

Die Zeus Pro-Serie verwendet hocheffiziente weiße und rote Top-Bin-LEDs für den Gartenbau, um ein ausgewogenes Vollspektrum an Qualitätslicht zu erzeugen, das ideal für die Photosynthese ist.



3.5 Lichtverteilungskurve



3.6 Rahmenbedingungen

Das LED-Gerät ist für den Einsatz in klimatisierten Grow-Rooms und Indoor-Farmen vorgesehen. Das Produkt kann in feuchten Umgebungen verwendet werden, darf aber nicht in nassen Umgebungen oder im Freien eingesetzt werden.

Das Produkt kann bei Umgebungstemperaturen von -10 °C bis 40 °C betrieben werden, funktioniert aber optimal bei Temperaturen zwischen 20 °C und 30 °C.

Das Produkt kann bei einer Luftfeuchtigkeit von 20 % bis 90 %, ohne Kondensation, betrieben werden.

3.7 Rechtliches

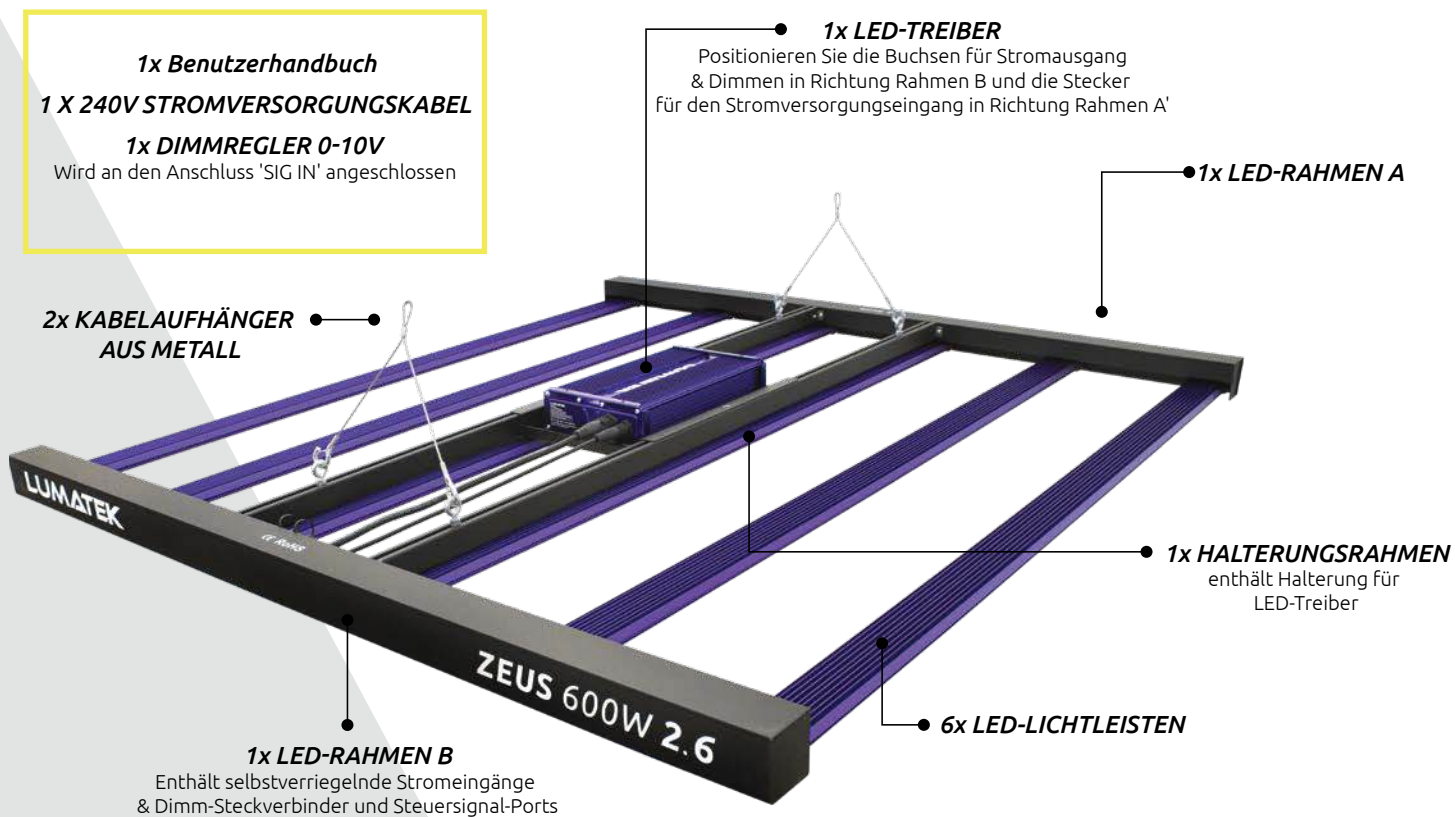
Dieses Produkt ist CE-zertifiziert und erfüllt die Teststandards der LVD- und EMV-Richtlinie.

4. SICHERHEITSEMPFEHLUNGEN UND WARNHINWEISE

Warnung! Lesen Sie die folgenden Warnhinweise sorgfältig durch, bevor Sie das Produkt verwenden oder mit ihm arbeiten!

- - Halten Sie sich bei der Installation und Verwendung des LED-Geräts immer an die örtlichen Vorschriften und Regeln.
- Öffnen oder zerlegen Sie das LED-Gerät nicht, da es im Inneren keine zu wartenden Teile enthält. Das Öffnen oder Verändern des LED-Geräts kann gefährlich sein und führt zum Erlöschen der Garantie.
- Verwenden Sie das LED-Gerät nicht, wenn entweder das LED-Gerät oder das Netzkabel beschädigt ist. Ersetzen Sie das Netzkabel nur durch ein Kabel mit dem richtigen Nennwert.
- Änderungen an den Kabeln können zu unerwünschten elektromagnetischen Effekten führen, die dazu führen können, dass das Produkt nicht mehr den gesetzlichen Anforderungen entspricht.
- Setzen Sie das LED-Gerät nicht folgenden Einflüssen aus: Kondenswasser, starkem Nebel oder direktem Spritzwasser; Umgebungstemperaturen außerhalb des spezifizierten Bereichs; Staub und Verschmutzung; Direkter Sonneneinstrahlung während des Betriebs oder HID-Licht, das den Treiber erwärmen kann.
- Trennen Sie das LED-Gerät immer vom Stromnetz, bevor Sie eine Wartung durchführen.
- Lassen Sie das Gerät mindestens 20-30 Minuten abkühlen, bevor Sie es berühren. Das Berühren des LED-Geräts im eingeschalteten Zustand oder unmittelbar danach kann zu Verbrennungen führen!
- Die natürliche Konvektion transportiert die Wärme vom Kühlkörper weg. Damit sich das System richtig abkühlen kann, ist ein Abstand von mindestens 5 cm zwischen dem Gerät und der Decke Ihres Growbereichs erforderlich.
- Verwenden Sie keine scheuernden Materialien oder aggressive Reinigungsmittel, um das LED-Gerät zu reinigen, da dies die Sekundäroptik beschädigen kann. Verwenden Sie stattdessen einen sauberen, feuchten oder trockenen Stoff/Tuch.
- Verwenden Sie das LED-Gerät nicht in der Nähe von brennbaren, explosiven oder reaktiven Substanzen. Das LED-Gerät kann Temperaturen von 40 °C erreichen.
- Verwenden Sie keine Schwefelverdampfer oder Wasserzerstäuber.
- Die Installation und Verwendung des LED-Geräts liegt in der Verantwortung des Endanwenders. Eine unsachgemäße Verwendung oder Installation kann zu Fehlfunktionen und Schäden am LED-Gerät führen. Schäden am LED-Gerät und an der Elektronik, die durch unsachgemäße Installation und Verwendung verursacht werden, führen zum Erlöschen der Garantie.

5. INHALT



6. MONTAGE

Warnung! Die Montage und Installation der LED-Leuchte muss in Übereinstimmung mit den geltenden lokalen Gesetzen und Vorschriften erfolgen.

Warnung! Der Installateur ist für die korrekte und sichere Installation verantwortlich.

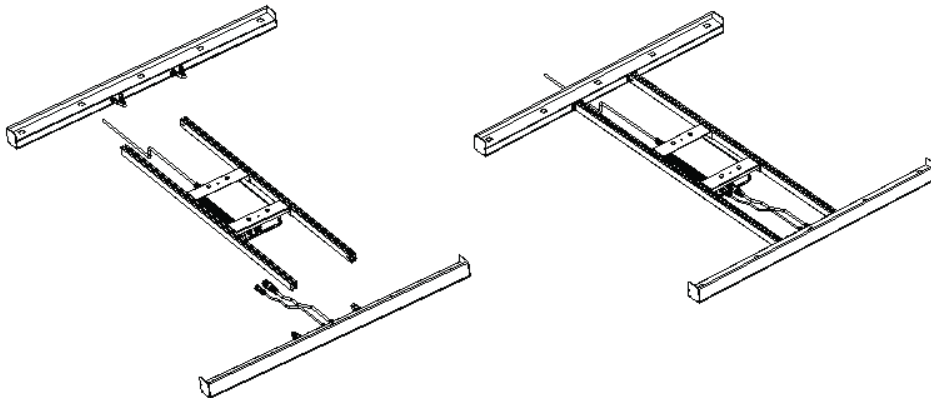
Warnung! Stellen Sie sicher, dass die lokale Verkabelung die Spannungs- und Stromanforderungen des LED-Geräts unterstützt.

Warnung! Vermeiden Sie gewickelte Kabel und halten Sie Netzleitungen getrennt, um elektromagnetische Störungen zu vermeiden.

Warnung! Schließen Sie das LED-Gerät nicht unter Last an und trennen Sie es nicht unter Last.

6.1 Montage und Installation des Geräts

Verbinden Sie Rahmen A und B mit dem Tragrahmen, indem Sie den Knopf am Rahmenverbinder drücken und den Rahmen in die Aufnahme des Tragrahmens einführen und verriegeln. Vergewissern Sie sich, dass der Knopf zum Verriegeln in die Buchse einrastet.

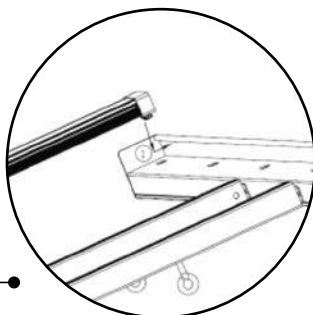


Verbinden Sie Rahmen B mit dem Ende des Tragrahmens im Bereich der LED-Treiber-Stromausgangs- und Dimmbuchsen.

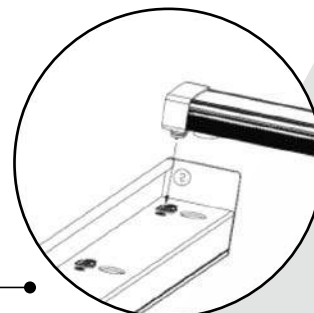
Achten Sie bei der Installation auf die Richtung; die Halterung für den LED-Treiber befindet sich oben, wenn das Gerät aufgehängt ist. e driver tray is on top when the fixture is hung.

6.2 Anschließen der LED-Lichtleisten

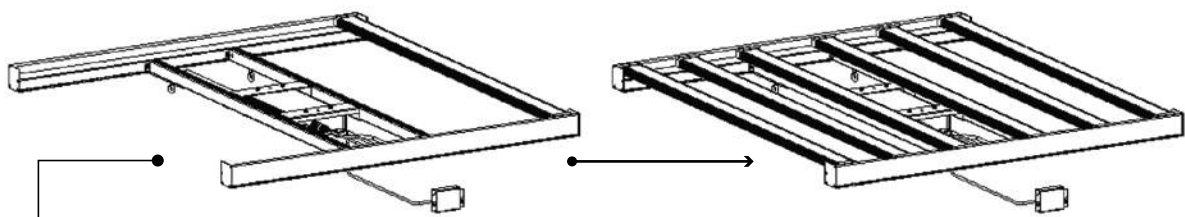
Warnung! Die Lichtleisten werden mit Schutzabdeckungen aus Kunststoff über den Dioden ausgeliefert. Bitte stellen Sie sicher, dass diese Schutzabdeckungen vor der Verwendung entfernt werden!



Hakenende zuerst montieren;
Haken in Vierkantloch einsetzen



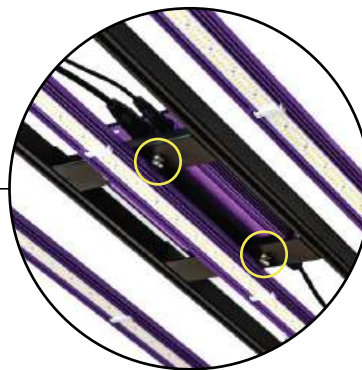
Setzen Sie dann das andere Ende ein; richten Sie den Magnetanschluss der Lichtleiste auf das runde Loch am Rahmenanschluss aus und stecken Sie den Stift in die Buchse. Stellen Sie sicher, dass die Magnetverbindung sicher ist.



- Montieren Sie die restlichen Lichtschienen in den Rahmen des Geräts.

6.3 Anschließen und Trennen des Treibers

Halteschrauben zur Befestigung des LED-Treibers



Der LED-Treiber wird mit Halteschrauben an der Montagehalterung befestigt. Für mehr Flexibilität kann der Treiber von der Leuchte getrennt und mit Lumatek 5m LED-Treiber-Verlängerungskabeln (separat erhältlich) ferngesteuert verwendet werden.



Stellen Sie sicher, dass die selbstverriegelnden Stecker des Treibers und des Dimmers korrekt auf die entsprechenden Buchsen des Treibers ausgerichtet sind und drücken Sie sie zusammen, bis sie mit einem Klick einrasten. Zum Trennen der Verbindung drehen Sie den Stecker gegen den Uhrzeigersinn, um ihn zu entriegeln und ziehen Sie ihn von der Buchse ab.

6.4 Wechseln und Ersetzen von Lichtleisten und modularer Einsatz

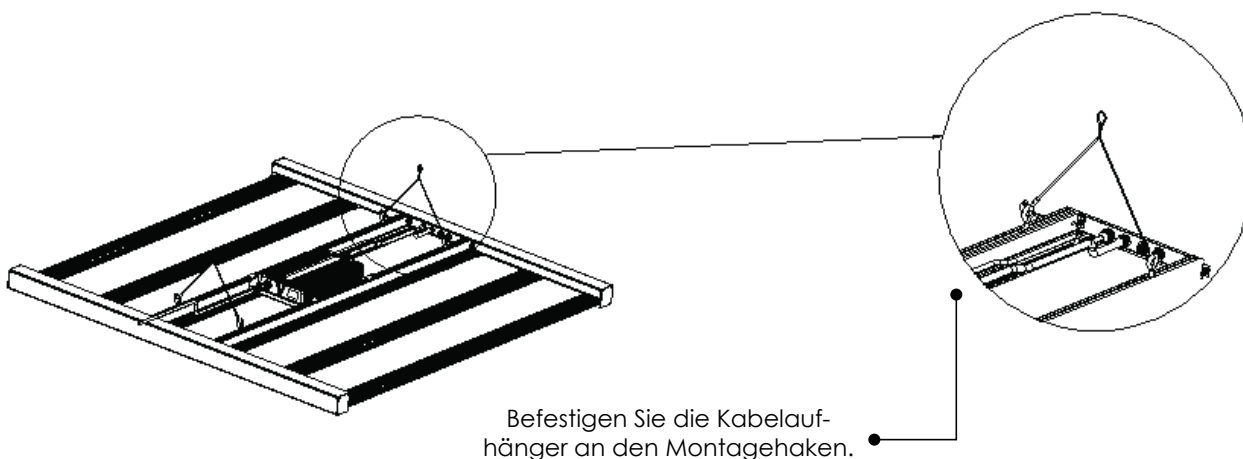
Das modulare Design des LED-Geräts verwendet einen intelligenten LED-Treiber, der die Leistung automatisch verringern oder erhöhen kann, um sie an die Anzahl der im Gerät installierten 100-W-Lichtleisten anzupassen. Wenn nicht alle Lichtleisten benötigt werden, bezieht der Treiber nur die Leistung, die für die Anzahl der angeschlossenen Lichtleisten erforderlich ist, z. B. wenn drei Lichtleisten angeschlossen sind, bezieht der Treiber nur 300 W, um diese zu betreiben.

Warnung! Vor dem Einschalten muss mindestens eine Lichtleiste im Gerät installiert sein.

6.5 Montage des Geräts

Warnung! Montieren Sie das System an einer Stelle, die das Gewicht des LED-Geräts tragen kann.

Vergewissern Sie sich, dass alle Lichtleisten korrekt und sicher installiert sind. Drehen Sie das Gerät vorsichtig um und befestigen Sie die Metallkabelaufhängungen an den Montagehaken. Hängen Sie das Gerät in der gewünschten Position und Höhe auf. Für eine optimale Leistung positionieren Sie das Gerät 30 - 50 cm über dem Pflanzdach für eine Lichtverteilung von 1.4 x 1.4 m. Achten Sie darauf, dass das Gerät waagrecht aufgehängt ist.



6.6 Anschließen des manuellen Dimmers oder der externen Lichtsteuerung

Die Dimmersteuerung oder Lichtsteuerung wird an den Anschluss 'SIG IN' am Rahmen des Geräts angeschlossen. Damit kann die Lichtintensität (PPF-Ausgang) je nach Bedarf eingestellt werden. Die Lichtintensität des LED-Geräts kann angepasst werden, ohne die relative spektrale Leistungsverteilung zu verändern oder die Effizienz zu beeinträchtigen.

Entfernen Sie die Staubschutzkappe und vergewissern Sie sich, dass die Stecker und Buchsen korrekt ausgerichtet sind und schieben Sie sie zusammen, bis sie einrasten. Zum Trennen der Verbindung drehen Sie den Drehverschluss gegen den Uhrzeigersinn und ziehen ihn auseinander.



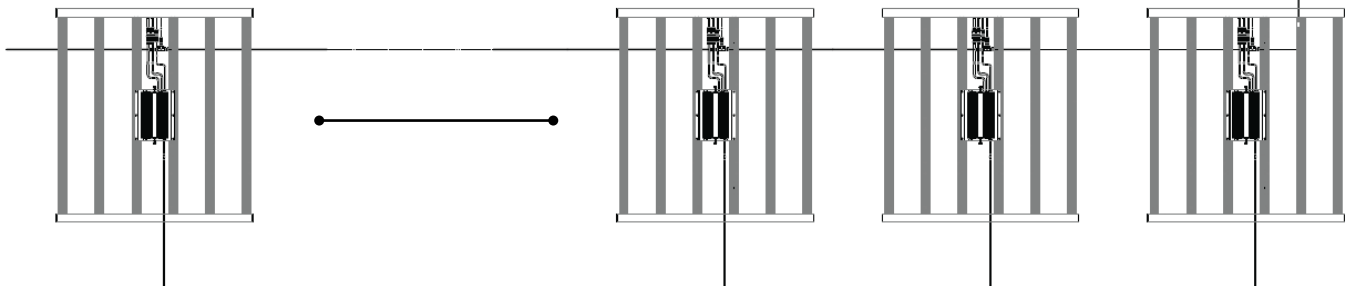
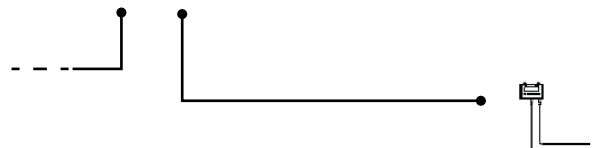
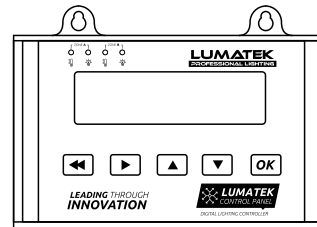
Manuelles Dimmerkabel oder Lichtsteuerungskabel an den SIGNAL IN Port anschließen

6.7 Anschluss von Geräten in Reihe zur externen Steuerung

Detaillierte Anweisungen finden Sie in der Anleitung des Lumatek Control Panels.

Positionieren und hängen Sie jedes Gerät entsprechend auf. Die Geräte der Zeus-Serie verwenden ein 0-10V-Signalprotokoll zur Steuerung.

- Schließen Sie das Output-Signalkabel des Controllers an den Anschluss SIGNAL IN des Geräts 1 an.
Verbinden Sie das Daisy-Chain-Steuersignalkabel (separat erhältlich) vom Anschluss SIGNAL OUT des Geräts 1 mit dem Anschluss SIGNAL IN des Geräts 2.
- Fahren Sie fort, Geräte in Reihe zu schalten, um bis zu 100 Geräte pro Steuerung zu betreiben, siehe Abb.



6.8 Anschluss des LED-Gerätes an das Stromnetz

Warnung! Stellen Sie sicher, dass die Netzspannung ausgeschaltet ist.

Warnung! Stellen Sie sicher, dass das Stromversorgungskabel nicht aufgewickelt ist und keine heißen Oberflächen berührt.

Warnung! Schließen Sie die Kabel gemäß den örtlichen Vorschriften, Sicherheitsbestimmungen und elektrischen Normen an.

Warnung! Wenn Sie keine externe Lichtsteuerung verwenden, stellen Sie sicher, dass das externe Schaltgerät den Einschaltstrom des LED-Geräts bewältigen kann. Verwenden Sie immer ein Zeitschalterschütz, das zum Schalten einer kapazitiven Last geeignet ist. Verwenden Sie niemals Zeitschaltuhren zum Schalten des LED-Geräts!

Warnung! Schließen oder trennen Sie das LED-Gerät niemals unter Last.

Stellen Sie sicher, dass die selbstverriegelnde Buchse des LED-Treiber-Stromversorgungskabels korrekt auf den entsprechenden Stecker am Treiber ausgerichtet ist, und schieben Sie sie zusammen, bis sie mit einem Klick einrastet. Zum Trennen der Verbindung: Buchse gegen den Uhrzeigersinn drehen, um sie zu entriegeln, und vom Treiber.

Netzstecker an Schaltgerät/Netzgerät anschließen.

Schalten Sie die Netzspannung ein.

7. VORSICHTSMAßNAHMEN BEI DER VERWENDUNG DER LED-LEUCHTE

Warnung! Vergewissern Sie sich vor dem Einschalten, dass mindestens eine Lichtleiste an das Gerät angeschlossen ist. Das Zeus Gerät verfügt über einen intelligenten LED-Treiber, der die Leistung automatisch an die Anzahl der angeschlossenen Lichtleisten anpassen kann.

Warnung! Warten Sie immer 20 - 30 Minuten, bis die LED-Lichtleisten abgekühlt sind, bevor Sie das Gerät bedienen.

8. INSPEKTION, WARTUNG UND REPARATUR

Warnung! Trennen Sie die LED-Leuchte vom Stromnetz, bevor Sie Wartungs- oder Reparaturarbeiten durchführen.

Warnung! Schließen oder trennen Sie das LED-Gerät nicht unter Last.

Warnung! Öffnen oder demontieren Sie die LED-Leuchte nicht, sie enthält keine wartungsfähigen Teile im Inneren. Das Öffnen der LED-Leuchte kann gefährlich sein und führt zum Erlöschen der Garantie.

Warnung! Warten Sie immer 20 - 30 Minuten, bis sich die LED-Lichtbalken abgekühlt haben.

Vorsicht! Reinigen Sie die LED-Leuchte nicht mit Reinigungsmitteln, Scheuermitteln oder anderen aggressiven Substanzen.

Überprüfen Sie die LED-Leuchte regelmäßig auf Staub oder Schmutzablagerungen. Bei Bedarf reinigen. Verunreinigungen können zu Überhitzung und Leistungseinbußen führen. Reinigen Sie die Außenseite des LED-Leuchten mit einem trockenen oder feuchten Tuch.

Überprüfen Sie regelmäßig die Kabel des LED-Geräts, um sicherzustellen, dass diese unbeschädigt sind.

9. LAGERUNG UND ENTSORG

Lagern Sie das LED-Gerät in einer trockenen und sauberen Umgebung bei einer Umgebungstemperatur von -25 °C bis 55 °C.

Das Produkt darf nicht als unsortierter Hausmüll entsorgt werden, sondern muss zum Zwecke der Aufbereitung, Verwertung und umweltgerechten Entsorgung separat entsorgt werden.

10. GARANTIE

Lumatek garantiert für einen Zeitraum von fünf (5) Jahren ab dem ursprünglichen Kaufdatum, dass die mechanischen und elektronischen Komponenten des Produkts bei Verwendung unter normalen Betriebsbedingungen frei von Material- und Verarbeitungsfehlern sind. Wenn das Produkt innerhalb dieses Zeitraums Mängel aufweist und dieser Mangel nicht auf einen Benutzerfehler oder unsachgemäßen Gebrauch zurückzuführen ist, wird Lumatek das Produkt nach eigenem Ermessen entweder ersetzen oder reparieren, wobei geeignete neue oder überholte Produkte oder Teile verwendet werden. Falls Lumatek sich entscheidet, das gesamte Produkt zu ersetzen, gilt diese eingeschränkte Garantie für das Ersatzprodukt für die verbleibende ursprüngliche Garantiezeit, d. h. fünf (5) Jahre ab dem Kaufdatum des Originalprodukts. Für den Service; bringen Sie das Produkt mit dem Originalkaufbeleg zu Ihrem Fachhändler zurück.

MANUALE LUMATEK ZEUS 600W 2.6

ITALIANO

SOMMARIO

- 1. Introduzione**
- 2. Descrizione del prodotto**
- 3. Informazioni e specifiche del prodotto**
 - 3.1 Informazioni generali sul prodotto
 - 3.2 Specifiche tecniche
 - 3.3 Dimensioni del dispositivo
 - 3.4 Grafico di distribuzione spettrale quantistica
 - 3.5 Curva di distribuzione della luce
 - 3.6 Ambiente
 - 3.7 Legale
- 4. Raccomandazioni e avvertenze di sicurezza**
- 5. Contenuto**
- 6. Installazione**
 - 6.1 Montaggio e installazione del dispositivo
 - 6.2 Collegare le barre luminose a LED
 - 6.3 Collegare e scollegare il driver
 - 6.4 Cambio e sostituzione delle barre luminose e uso modulare
 - 6.5 Installazione del dispositivo
 - 6.6 Collegamento del dimmer manuale o del regolatore di illuminazione esterno
 - 6.7 Dispositivi di collegamento in serie per il controllo esterno
 - 6.8 Collegamento dell'apparecchio LED alla rete elettrica
- 7. Precauzioni quando si utilizza il dispositivo a LED**
- 8. Ispezione, manutenzione e riparazione**
- 9. Stoccaggio e smaltimento**
- 10. Garanzia**

1. INTRODUZIONE

Grazie per aver acquistato l'apparecchio Lumatek Zeus 600W 2.6 linear multi-light bar LED. Questo manuale descrive come installare e utilizzare l'apparecchio Zeus Pro; si prega di leggere attentamente questo manuale prima di tentare di installare o utilizzare qualsiasi sistema della serie Zeus di Lumatek. Se non sei a tuo agio con l'installazione di sistemi di illuminazione ad alte prestazioni, dovresti cercare i servizi di un professionista dell'installazione qualificato.

2. DESCRIZIONE PRODOTTO

Il Lumatek Zeus 600W 2.6 LED è un apparecchio elettronico a LED per l'orticoltura che utilizza un design lineare con sei barre luminose a LED 'Full Spectrum' da 100W e un driver intelligente che rende l'apparecchio controllabile dall'esterno e regolabile. L'apparecchio ZUES 600W 2.6 è una soluzione di illuminazione superiore a ciclo completo ad altissime prestazioni per l'orticoltura commerciale, con la potenza e la flessibilità per scalare dalla propagazione e dalla clonazione attraverso la crescita vegetativa fino a intensità di luce più elevate in fioritura.

In questo manuale il Lumatek Zeus 600W 2.6 LED sarà indicato come: "l'apparecchio LED".

3. INFORMAZIONI E LE SPECIFICHE DEL PRODOTTO

3.1 Informazioni generali sul prodotto

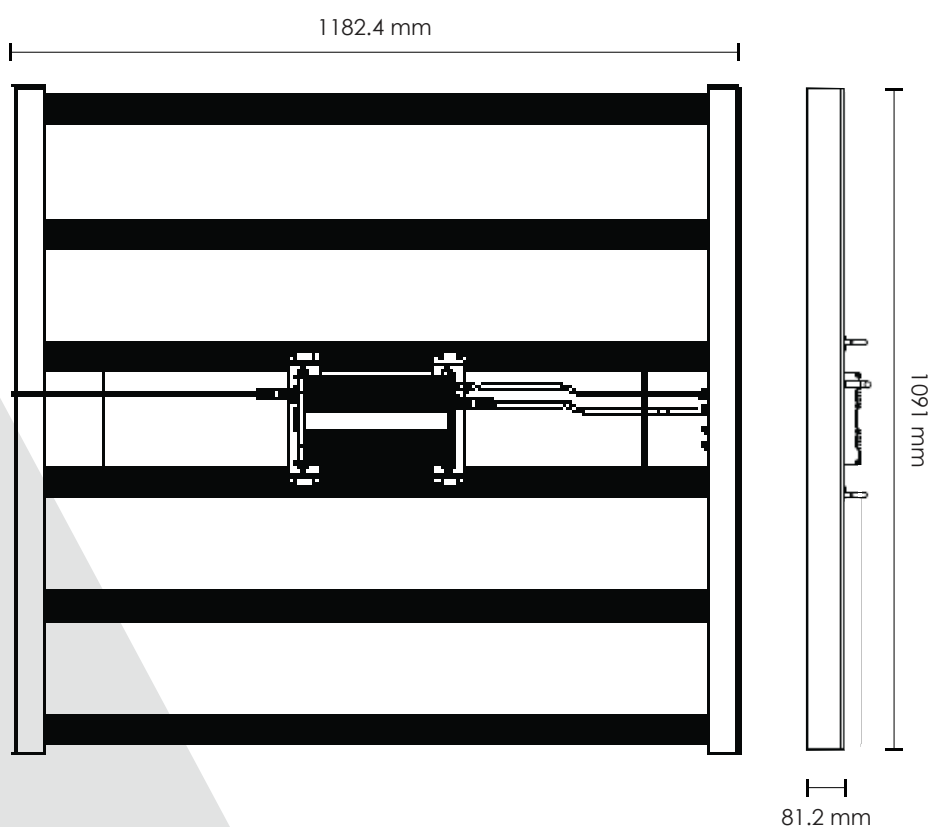
| | |
|-------------------|-------------------|
| NOME DEL PRODOTTO | Zeus 600W 2.6 LED |
| CODICE PRODOTTO | LUMLED020 |
| FABBRICANTE | Lumatek EU |
| EAN | 5060560031789 |
| TIPO DI SPINA | Regno Unito/EU |

3.2 Specifiche tecniche

| | |
|---|---|
| PPF | 1570 $\mu\text{mol/s}$ |
| EFFICACIA | Fino a 2.6 $\mu\text{mol/J}$ |
| SPETTRO | Spettro completo |
| SORGENTE LUMINOSA | Specifiche superiori LUMILEDS (W) & Osram (R) LED |
| DIMENSIONE | 1091 x 1182.4 x 81.2mm |
| PESO | 13.5Kg |
| DURATA DELLA VITA | 60000H |
| TEMPERATURA DI FUNZIONAMENTO | -20° -- +40°C |
| UMIDITÀ DI FUNZIONAMENTO | 20% - 90% |
| IMPERMEABILE/ANTIPOLVERE | IP65 |
| ANGOLO A FASCIO | 120° |
| REGOLATORE DI ILLUMINAZIONE DIM /ESTERNO MANUALE | 0-10V protocollo del segnale |

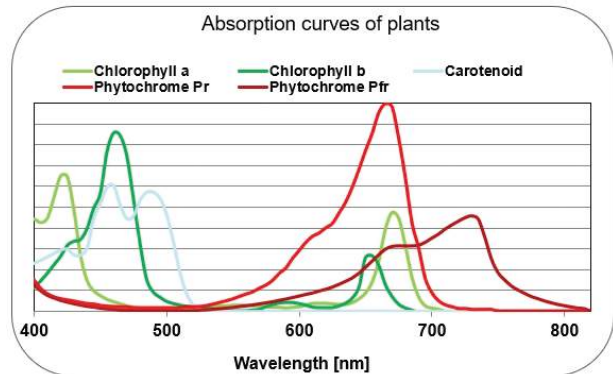
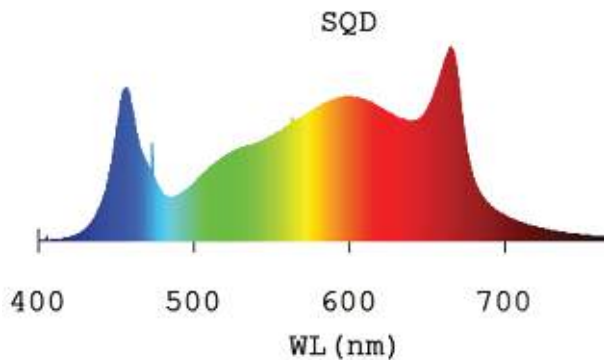
| TENSIONE IN INGRESS (V) | RAPPORTO DI ATTENUAZIONE | POTENZA DI INGRESSO (W) | CORRENTE DI INGRESSO (A) |
|---------------------------|--------------------------|-------------------------|--------------------------|
| Vmains=230V 50/60Hz AC | 100% | 623 | 2.76 |
| | 75% | 481 | 2.15 |
| | 50% | 309 | 1.42 |
| | 25% | 160 | 0.81 |
| Vmains=240V 50/60Hz AC | 100% | 623 | 2.65 |
| | 75% | 481 | 2.07 |
| | 50% | 309 | 1.37 |
| | 25% | 161 | 0.8 |
| Vmains=277V 50/60Hz AC | 100% | 621 | 2.32 |
| | 75% | 480 | 1.84 |
| | 50% | 304 | 1.23 |
| | 25% | 162 | 0.74 |

3.3 Dimensioni del dispositivo

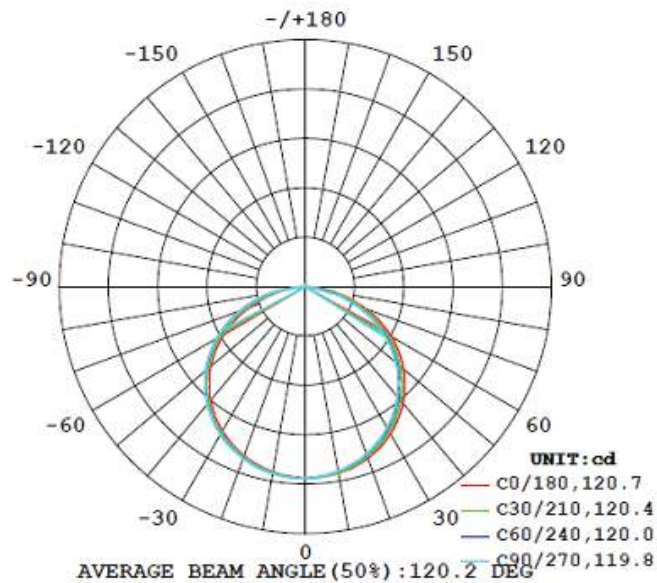


3.4 Grafico di distribuzione spettrale quantistica

La serie Zeus Pro utilizza LED bianchi e rossi orticoli altamente efficienti per creare uno spettro completo ed equilibrato di luce di qualità ideale per la fotosintesi.



3.5 Curva di distribuzione della luce



3.6 Ambiente

L'apparecchio a LED è destinato ad essere utilizzato in stanze di coltivazione a clima controllato e in aziende agricole al chiuso. Il prodotto può essere utilizzato in ambienti umidi ma non può essere utilizzato in ambienti umidi o all'aperto.

Il prodotto funzionerà a temperature ambiente da -10°C a 40°C ma funzionerà a livello ottimale tra 20°C e 30°C.

Il prodotto funzionerà in 20% - 90% di umidità, senza condensa.

3.7 Legale

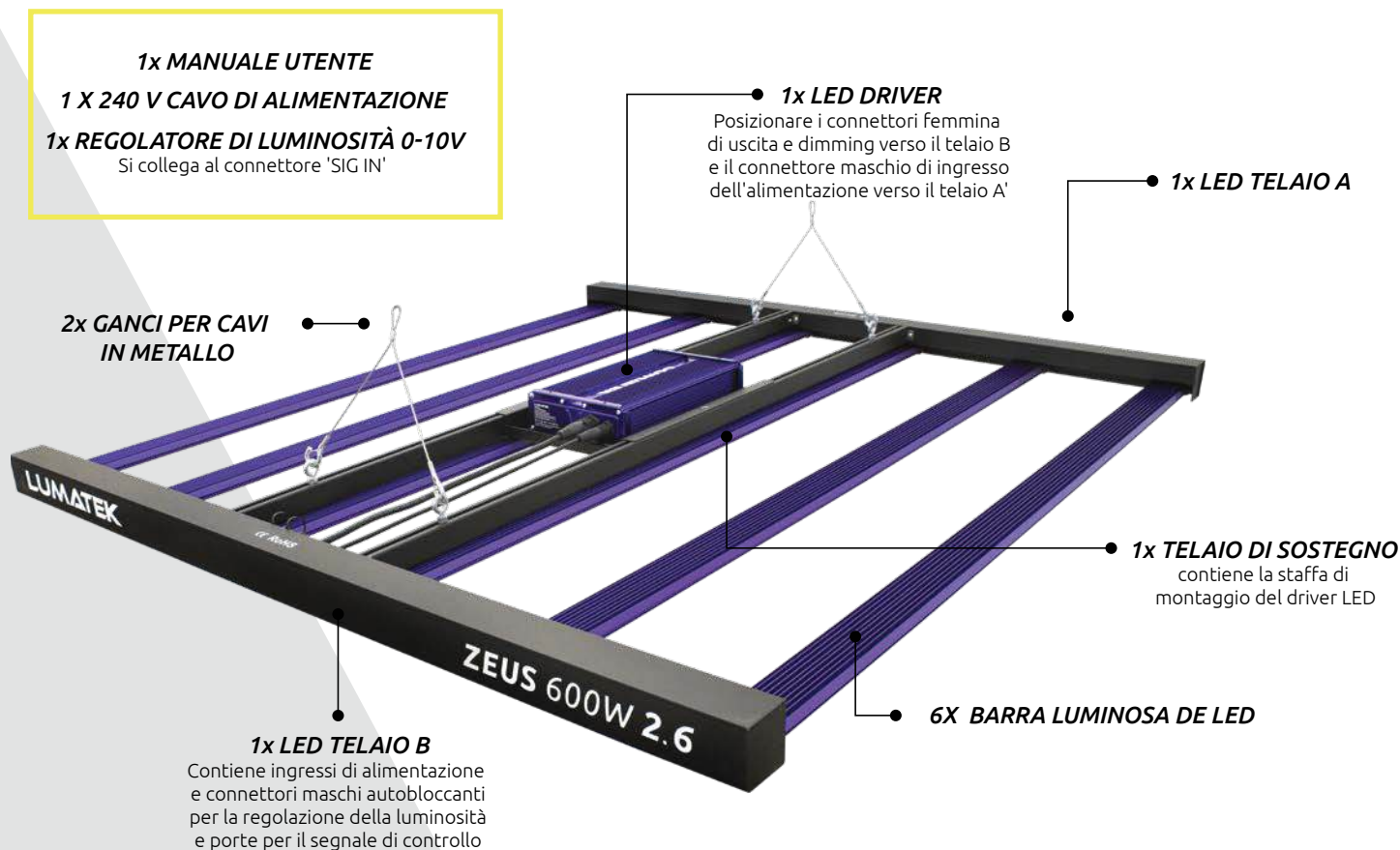
Questo prodotto è certificato CE conforme agli standard di prova delle direttive LVD ed EMC.

4. RACCOMANDAZIONI E AVVERTENZE DI SICUREZZA

Attenzione! Leggere attentamente le avvertenze seguenti prima di usare o lavorare con il prodotto!

- Rispettare sempre le norme e i regolamenti locali quando si installa o si utilizza l'apparecchio LED.
- Non aprire o smontare l'apparecchio LED perché non contiene parti riparabili all'interno. L'apertura o la modifica dell'apparecchio a LED può essere pericolosa e invalida la garanzia.
- Non utilizzare l'apparecchio a LED quando l'apparecchio a LED o il suo cavo di alimentazione sono danneggiati. Sostituire il cavo di alimentazione solo con un cavo correttamente tarato.
- Modifiche ai cavi possono portare a effetti elettromagnetici indesiderati che possono rendere il prodotto non conforme ai requisiti legali.
- Non esporre il dispositivo LED a:
Umidità di condensazione, nebbia pesante o spruzzo diretto;
Temperature ambiente al di fuori dell'intervallo specificato;
Polvere e contaminazione;
Luce diretta del sole durante l'uso o HID luce che può riscaldare il driver.
- Scollegare sempre l'apparecchio LED dalla rete elettrica prima di eseguire qualsiasi manutenzione.
- Lasciare sempre per un periodo di raffreddamento di almeno 20-30 minuti prima di toccare il dispositivo a LED. Toccare l'apparecchio a LED quando l'apparecchio è acceso o immediatamente dopo può provocare ustioni!
- La convezione naturale rimuove il calore dal dissipatore di calore. Affinché il sistema possa raffreddarsi correttamente, sono necessari almeno 5 cm di spazio tra l'apparecchio e il tetto dell'area di coltivazione.
- Non utilizzare materiali abrasivi o detergenti aggressivi per pulire l'apparecchio a LED, poiché ciò potrebbe danneggiare l'ottica secondaria. Usare invece un tessuto/panno pulito, umido o asciutto.
- Non utilizzare l'apparecchio a LED vicino a sostanze infiammabili, esplosive o reattive. L'apparecchio a LED può raggiungere temperature di 40°C.
- Non utilizzare vaporizzatori di zolfo o nebulizzatori d'acqua.
- L'installazione e l'uso del dispositivo del LED è responsabilità dell'utente finale. L'uso o l'installazione non corretti possono causare guasti e danni al dispositivo a LED. Danni all'apparecchio a LED e alla circuiteria elettronica a seguito di installazione e utilizzo errati revocano la garanzia.

5. CONTENUTO



6. INSTALLAZIONE

Attenzione! Il montaggio e l'installazione dell'apparecchio LED devono essere conformi alle leggi e ai regolamenti locali applicabili.

Attenzione! L'installatore è responsabile della corretta e sicura installazione.

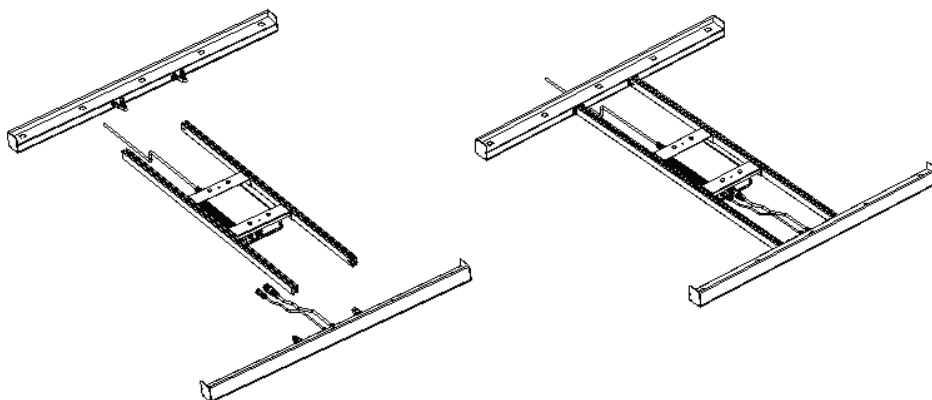
Attenzione! Assicurarsi che il cablaggio locale possa supportare i requisiti di tensione e di corrente dell'apparecchio a LED.

Attenzione! Evitare i cavi a spirale e tenere separati i cavi di alimentazione per aiutare a prevenire le interferenze elettromagnetiche.

Attenzione! Non collegare o scollegare l'apparecchio LED sotto carico.

6.1 Montaggio e installazione del dispositivo

Collegare il telaio A e B al telaio di supporto premendo il pulsante sul connettore del telaio e inserendolo nella presa del telaio di supporto e bloccarlo. Assicurarsi che il pulsante scatti nella presa del foro per bloccare.

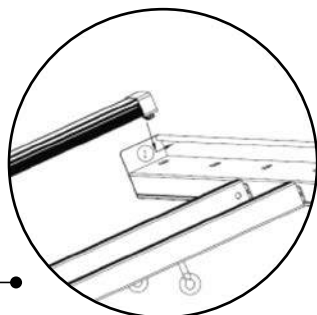


Collegare il telaio B all'estremità del telaio di supporto vicino all'uscita di potenza del driver LED e ai connettori femmina di regolazione.

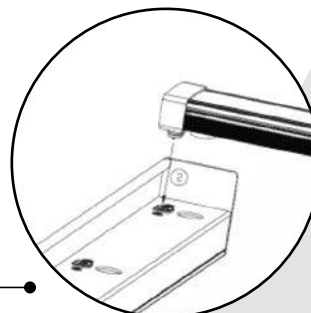
Nota la direzione durante l'installazione; la staffa di montaggio del driver LED è in alto quando l'apparecchio è appeso.

6.2 Collegare le barre luminose a LED

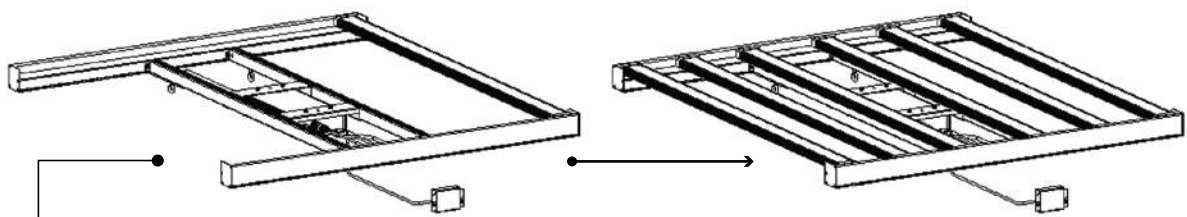
Attenzione! Le barre luminose sono fornite con coperture protettive in plastica sopra i diodi. Si prega di assicurarsi che queste coperture protettive siano rimosse prima dell'uso!



Installare prima l'estremità del gancio;
Inserire il gancio nel foro quadrato



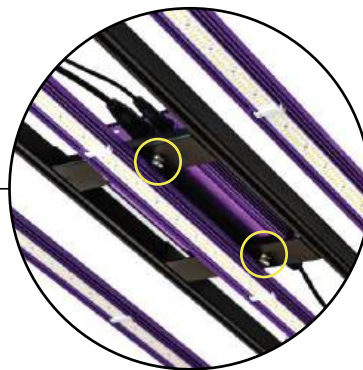
Poi inserire l'altra estremità; allineare il connettore magnetico della barra luminosa con il foro rotondo sul connettore Frame e inserire il perno maschio nella presa femmina. Assicurarsi che la connessione magnetica sia sicura.



- Montare il resto delle barre luminose nel telaio dell'apparecchio.

6.3 Collegare e scollegare il driver

Viti di ritenzione di
montaggio del driver
LED



Il driver LED è fissato alla staffa di montaggio con viti di ritenzione attraverso la staffa nella piastra di base del driver. Per una maggiore flessibilità, il driver può essere scollegato dall'apparecchio e utilizzato a distanza utilizzando i cavi di estensione del driver LED Lumatek da 5 m (venduti separatamente).



Per collegare l'uscita del driver e il controllo della dimmerazione all'apparecchio, assicurarsi che i connettori maschio autobloccanti di alimentazione e dimmerazione siano correttamente allineati con i corrispondenti connettori femmina sul driver e spingerli insieme fino al clic di blocco.

Per scollegare, girare il connettore maschio in senso antiorario per sbloccarlo e staccarlo dalla femmina.

6.4 Cambio e sostituzione delle barre luminose e uso modulare

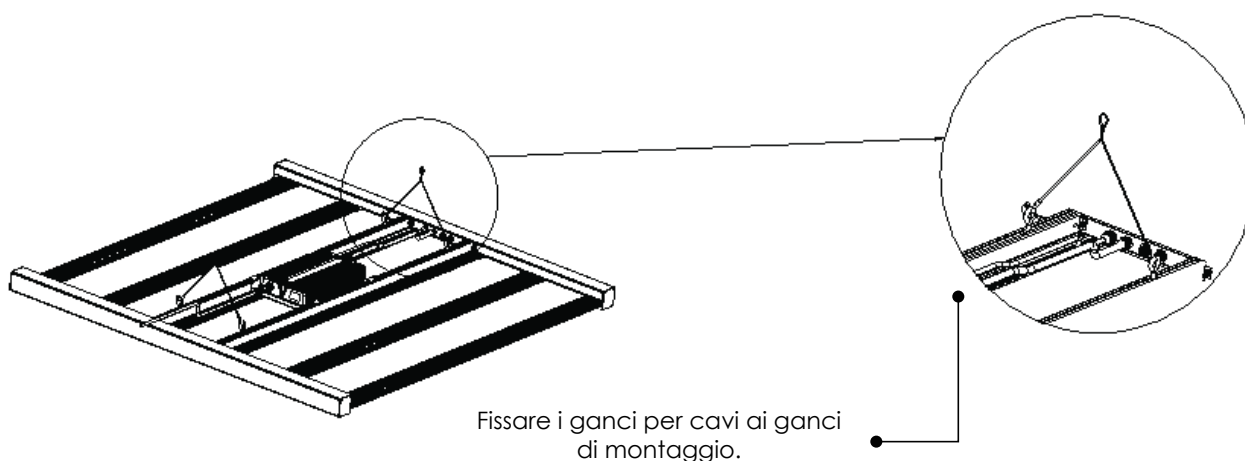
Il design modulare dell'apparecchio a LED utilizza un driver LED intelligente che può diminuire o aumentare la potenza per abbinare automaticamente la quantità di barre luminose da 100W installate nell'apparecchio. Se non tutte le barre luminose sono richieste, il driver assorbirà solo la potenza necessaria per la quantità di barre luminose collegate, ad esempio se tre barre luminose sono collegate, i driver assorbiranno solo 300W per alimentarle.

Attenzione! Almeno una barra luminosa deve essere installata nell'apparecchio prima dell'accensione.

6.5 Installazione del dispositivo

Attenzione! Montare il sistema su qualcosa che possa sostenere il peso dell'apparecchio a LED.

Assicurarsi che tutte le barre luminose siano installate correttamente e siano sicure. Capovolgere con cautela l'apparecchio e fissare i ganci per cavi metallici ai ganci di montaggio. Appendere il dispositivo nella posizione e nell'altezza richieste. Per prestazioni ottimali; posizione apparecchio 30-50 cm sopra pianta baldacchino per un 1.4 x 1.4 m diffusione della luce. Assicurarsi che il dispositivo è appeso orizzontalmente.



6.6 Collegamento del dimmer manuale o del regolatore di illuminazione esterno

Il controllo del dimmer o il controller dell'illuminazione è collegato al connettore 'SIG IN' sul telaio dell'apparecchio. Ciò consente di regolare l'intensità della luce (uscita PPF) in base alle esigenze. L'intensità luminosa dell'apparecchio LED può essere regolata senza cambiare la distribuzione di potenza spettrale relativa o perdere efficienza.

Rimuovere il cappuccio antipolvere e assicurarsi che i connettori maschio e femmina siano allineati correttamente, quindi spingerli insieme fino a quando non si chiudono a scatto. Per scollegare, girare il blocco a rotazione in senso antiorario e tirare a parte.



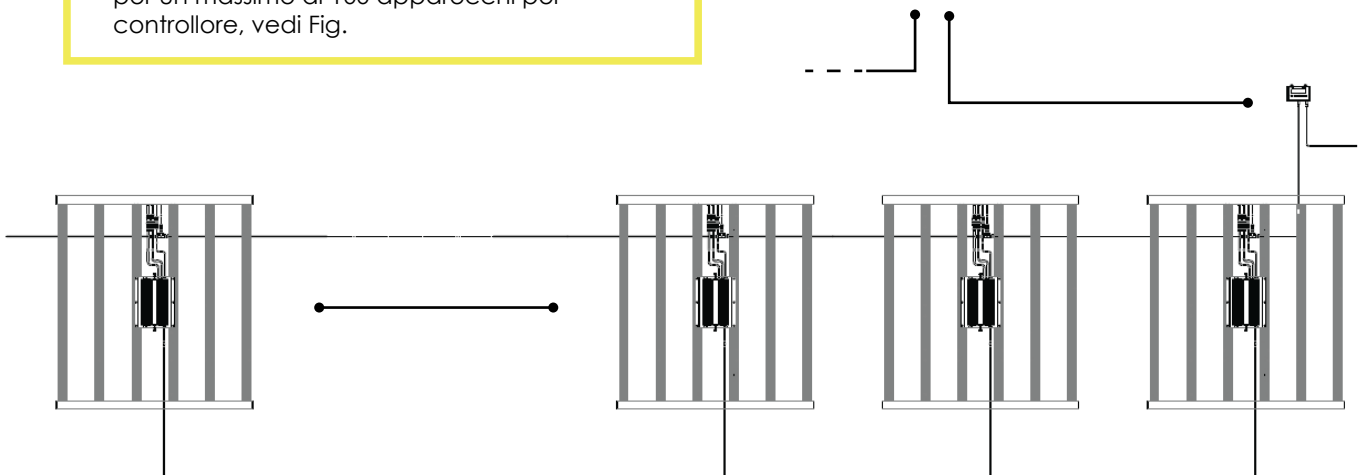
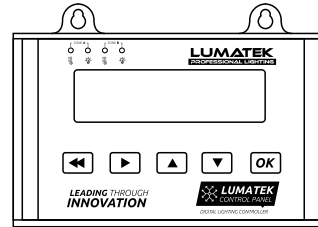
Collegare il cavo dimmer manuale o il cavo del controller di illuminazione alla porta SIGNAL IN

6.7 Dispositivi di collegamento in serie per il controllo esterno

Per istruzioni dettagliate, consultare il manuale del pannello di controllo Lumatek.

Posizionare e appendere ogni apparecchio in modo appropriato. I dispositivi della serie Zeus utilizzano il protocollo di segnale 0-10V per il controllo.

- Collegare il cavo del segnale di uscita del controller al connettore SIGNAL IN dell'apparecchio 1. Collegare il cavo del segnale di controllo a margherita (venduto separatamente) dal connettore SIGNAL OUT dell'apparecchio 1 al connettore SIGNAL IN dell'apparecchio 2.
- Continuare a collegare gli apparecchi in serie per un massimo di 100 apparecchi per controllore, vedi Fig.



6.8 Collegamento dell'apparecchio LED alla rete elettrica

Attenzione! Assicurarsi che l'alimentazione di rete sia spenta.

Attenzione! Assicurarsi che il cavo di alimentazione non sia arrotolato e non tocchi superfici calde.

Attenzione! Collegare i cavi secondo le regole locali, le norme di sicurezza e il codice elettrico.

Attenzione! Se non si utilizza un controller di illuminazione esterno, assicurarsi che l'attrezzatura di commutazione esterna possa far fronte alla corrente di spunto dell'apparecchio LED. Utilizzare sempre un contattore temporizzato adatto a commutare un carico capacitivo. Non usare mai i timer domestici per accendere l'apparecchio LED!

Avvertimento! Non collegare o scollegare l'apparecchio a LED sotto carico.

Assicurarsi che il connettore femmina autobloccante del cavo di alimentazione del conduttore del LED sia correttamente allineato al corrispondente connettore maschio del conduttore e spingere insieme fino a quando non si blocca con un clic. Per scollegare; girare il connettore femmina in senso antiorario per sbloccarlo e staccarlo dal conduttore.

Collegare la spina di alimentazione di rete all'alimentatore / alimentatore di commutazione.

Accendere l'alimentazione di rete.

7. PRECAUZIONI QUANDO SI UTILIZZA L'APPARECCHIO A LED

Avvertimento! Assicuratevi sempre che almeno una barra luminosa sia collegata all'apparecchio prima di accenderlo. L'apparecchio Zeus Pro ha un driver LED intelligente che può aumentare o diminuire la potenza in base alla quantità di barre luminose collegate al sistema automaticamente.

Avvertimento! Attendere sempre 20 - 30 minuti che le barre luminose a LED si raffreddino prima di maneggiare l'apparecchio.

8. ISPEZIONE, MANUTENZIONE E RIPARAZIONE

Avvertimento! Scollegare l'apparecchio dalla rete LED prima di eseguire qualsiasi intervento di manutenzione o riparazione.

Avvertimento! Non collegare o scollegare l'apparecchio a LED sotto carico.

Avvertimento! Non aprire o smontare l'apparecchio a LED, non contiene parti riparabili. L'apertura del dispositivo a LED può essere pericoloso e invalidare la garanzia.

Avvertimento! Attendere sempre 20 - 30 minuti per consentire alle barre luminose a LED di raffreddarsi.

Attenzione! Non pulire l'apparecchio a LED con detergenti, abrasivi o altre sostanze aggressive.

Controllare regolarmente l'apparecchio a LED per verificare che non vi siano accumuli di polvere o sporcizia. Pulire se necessario. La contaminazione può causare surriscaldamento e riduzione delle prestazioni. Pulire l'esterno dell'apparecchio a LED con un panno asciutto o umido.

Controllare regolarmente i cavi del dispositivo a LED per assicurarsi che non sia danneggiato.

9. CONSERVAZIONE E SMALTIMENTO

Conservare l'apparecchio a LED in un ambiente asciutto e pulito, con una temperatura ambiente compresa tra -25°C e 55°C.

Il prodotto non deve essere scartato come rifiuto urbano non differenziato, ma deve essere raccolto separatamente ai fini del trattamento, del recupero e dello smaltimento ecocompatibile.

10. GARANZIA

Lumatek garantisce che i componenti meccanici ed elettronici del suo prodotto sono esenti da difetti di materiale e di lavorazione se utilizzati in condizioni operative normali per un periodo di cinque (5) anni dalla data originale di acquisto. Se il prodotto presenta dei difetti entro questo periodo e il difetto non è dovuto a un errore dell'utente o a un uso improprio, Lumatek potrà, a sua discrezione, sostituire o riparare il prodotto utilizzando prodotti o parti nuove o ricondizionate adeguate. Nel caso in cui Lumatek decida di sostituire l'intero prodotto, la presente garanzia limitata si applicherà al prodotto sostitutivo per il restante periodo di garanzia iniziale, ovvero cinque (5) anni dalla data di acquisto del prodotto originale. Per il servizio; restituire il prodotto al tuo negozio con la ricevuta di vendita originale.

MANUEL LUMATEK

ZEUS 600W 2.6

FRANÇAIS

TABLE DES MATIÈRES

- 1. Introduction**
- 2. Description du produit**
- 3. Informations et spécifications sur le produit**
 - 3.1 Informations générales sur le produit
 - 3.2 Spécifications techniques
 - 3.3 Dimensions du luminaire
 - 3.4 Graphique de distribution quantique spectrale
 - 3.5 Courbe de distribution de la lumière
 - 3.6 Environnement
 - 3.7 Informations légales
- 4. Recommandations de sécurité et avertissements**
- 5. Contenu**
- 6. Installation**
 - 6.1 Montage et installation du luminaire
 - 6.2 Connecter les barres lumineuses LED
 - 6.3 Connecter et déconnecter le transformateur
 - 6.4 Changement et remplacement des barres lumineuses et utilisation modulaire
 - 6.5 Installation du luminaire
 - 6.6 Raccordement du variateur manuel ou du contrôleur d'éclairage externe
 - 6.7 Connexion des luminaires en série pour un contrôle externe
 - 6.8 Raccordement du luminaire à LED au secteur
- 7. Précautions à prendre lors de l'utilisation du luminaire à LED**
- 8. Inspection, entretien et réparation**
- 9. Stockage et élimination**
- 10. garantie**

1. INTRODUCTION

Nous vous remercions d'avoir acheté le luminaire à barre de LED linéaire Zeus 600W 2.6 de Lumatek. Ce manuel décrit comment installer et utiliser le luminaire Zeus Pro. Veuillez lire attentivement ce manuel avant d'essayer d'installer ou d'utiliser tout système de la série Lumatek Zeus. Si vous n'êtes pas à l'aise avec l'installation de systèmes d'éclairage à haute performance, vous devez faire appel aux services d'un professionnel qualifié.

2. DESCRIPTION DU PRODUIT

Le Zeus 600W 2.6 LED de Lumatek est un luminaire électronique à LED pour l'horticulture qui utilise une conception linéaire avec six barres lumineuses à LED 100W 'Full Spectrum' et un transformateur intelligent rendant le luminaire contrôlable et variable de l'extérieur. Le luminaire ZEUS 600W 2.6 est une solution d'éclairage à cycle complet ultra-haute performance pour la culture horticole commerciale, avec la puissance et la flexibilité nécessaires pour passer de la propagation et du clonage à la croissance végétative et à des intensités lumineuses plus élevées en floraison.

Dans ce manuel, le luminaire à LED Lumatek Zeus 600W 2.6 sera désigné par : "le luminaire à LED".

3. INFORMATIONS ET SPÉCIFICATIONS SUR LE PRODUIT

3.1 Informations générales sur le produit

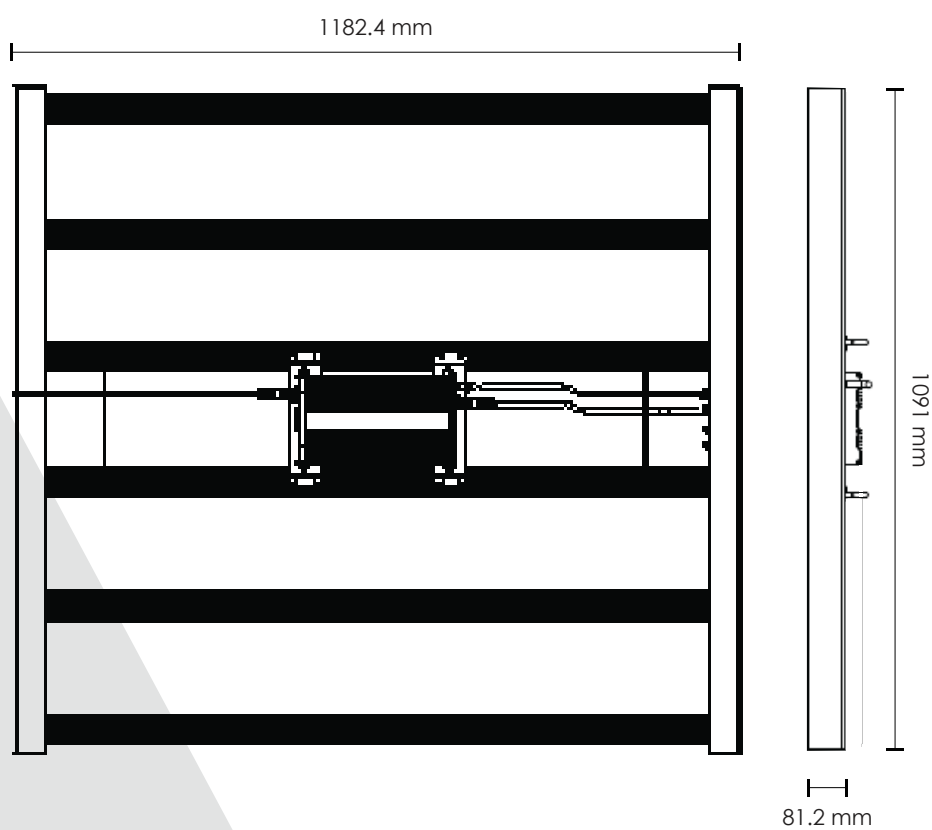
| | |
|----------------|-------------------|
| NOM DU PRODUIT | Zeus 600W 2.6 LED |
| CODE PRODUIT | LUMLED020 |
| FABRICANT | Lumatek EU |
| EAN | 5060560031789 |
| TYPE DE PRISE | UK/EU |

3.2 Spécifications techniques

| | |
|---|--|
| PPF | 1570 $\mu\text{mol/s}$ |
| EFFICACITÉ | Jusqu'à 2.6 $\mu\text{mol/J}$ |
| SPECTRE | Spectre complet |
| SOURCE DE LUMIÈRE | Spécification plus élevée LUMILEDS (W) & Osram (R) LED |
| DIMENSIONS | 1091 x 1182.4 x 81.2mm |
| POIDS | 13.5Kg |
| DURÉE DE VIE | 60000H |
| TEMPÉRATURE DE FONCTIONNEMENT | -20° -- +40°C |
| TAUX D'HUMIDITÉ ACCEPTÉ | 20% - 90% |
| RÉSISTANCE À L'EAU/POUSSIÈRE | IP65 |
| ANGLE DU FAISCEAU | 120° |
| VARIATION MANUELLE/ CONTRÔLEUR D'ÉCLAIRAGE EXTERNE | Protocole de signal 0-10V |

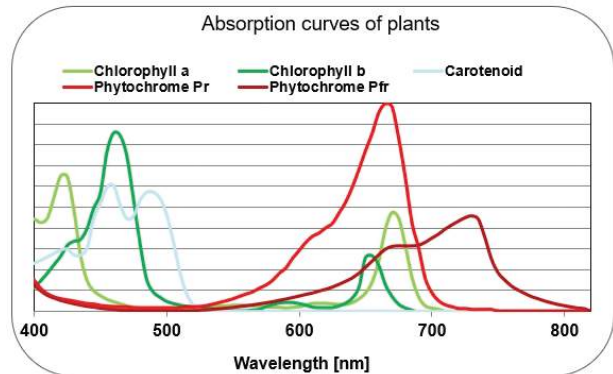
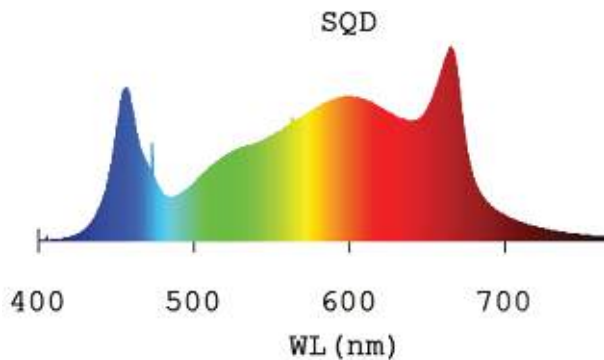
| TENSION D'ENTRÉE (V) | RAPPORT DE GRADATION | PUISSANCE D'ENTRÉE (W) | COURANT D'ENTRÉE (A) |
|---------------------------|----------------------|------------------------|----------------------|
| Vmains=230V 50/60Hz AC | 100% | 623 | 2.76 |
| | 75% | 481 | 2.15 |
| | 50% | 309 | 1.42 |
| | 25% | 160 | 0.81 |
| Vmains=240V 50/60Hz AC | 100% | 623 | 2.65 |
| | 75% | 481 | 2.07 |
| | 50% | 309 | 1.37 |
| | 25% | 161 | 0.8 |
| Vmains=277V 50/60Hz AC | 100% | 621 | 2.32 |
| | 75% | 480 | 1.84 |
| | 50% | 304 | 1.23 |
| | 25% | 162 | 0.74 |

3.3 Dimensions du luminaire

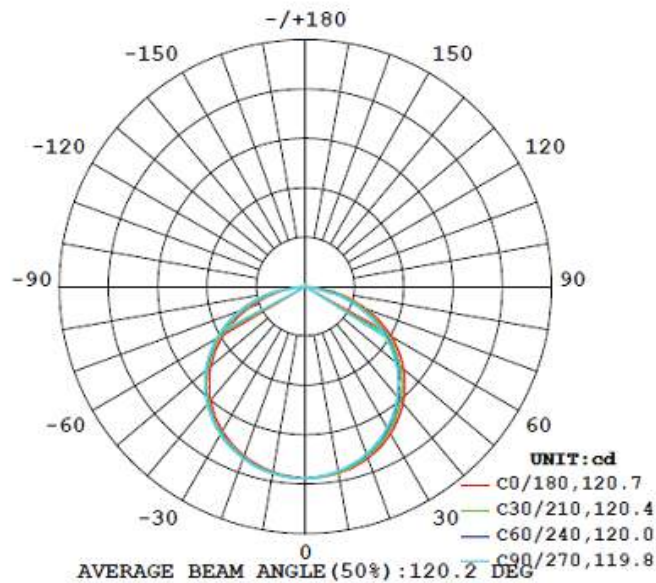


3.4 Graphique de distribution quantique spectrale

La série Zeus Pro utilise des LED horticoles blanches et rouges de haute qualité et très efficaces pour créer un spectre complet et équilibré de lumière de qualité, idéal pour la photosynthèse.



3.5 Courbe de distribution de la lumière



3.6 Environnement

Le luminaire à LED est destiné à être utilisé dans des salles de culture et des fermes intérieures à climat contrôlé. Le produit peut être utilisé dans des environnements humides mais ne peut pas être utilisé dans des environnements mouillés ou à l'extérieur.

Le produit fonctionnera à des températures ambiantes allant de -10°C à 40°C mais fonctionnera de manière optimale entre 20°C et 30°C.

Le produit fonctionnera dans un taux d'humidité de 20% à 90%, sans condensation.

3.7 Informations légales

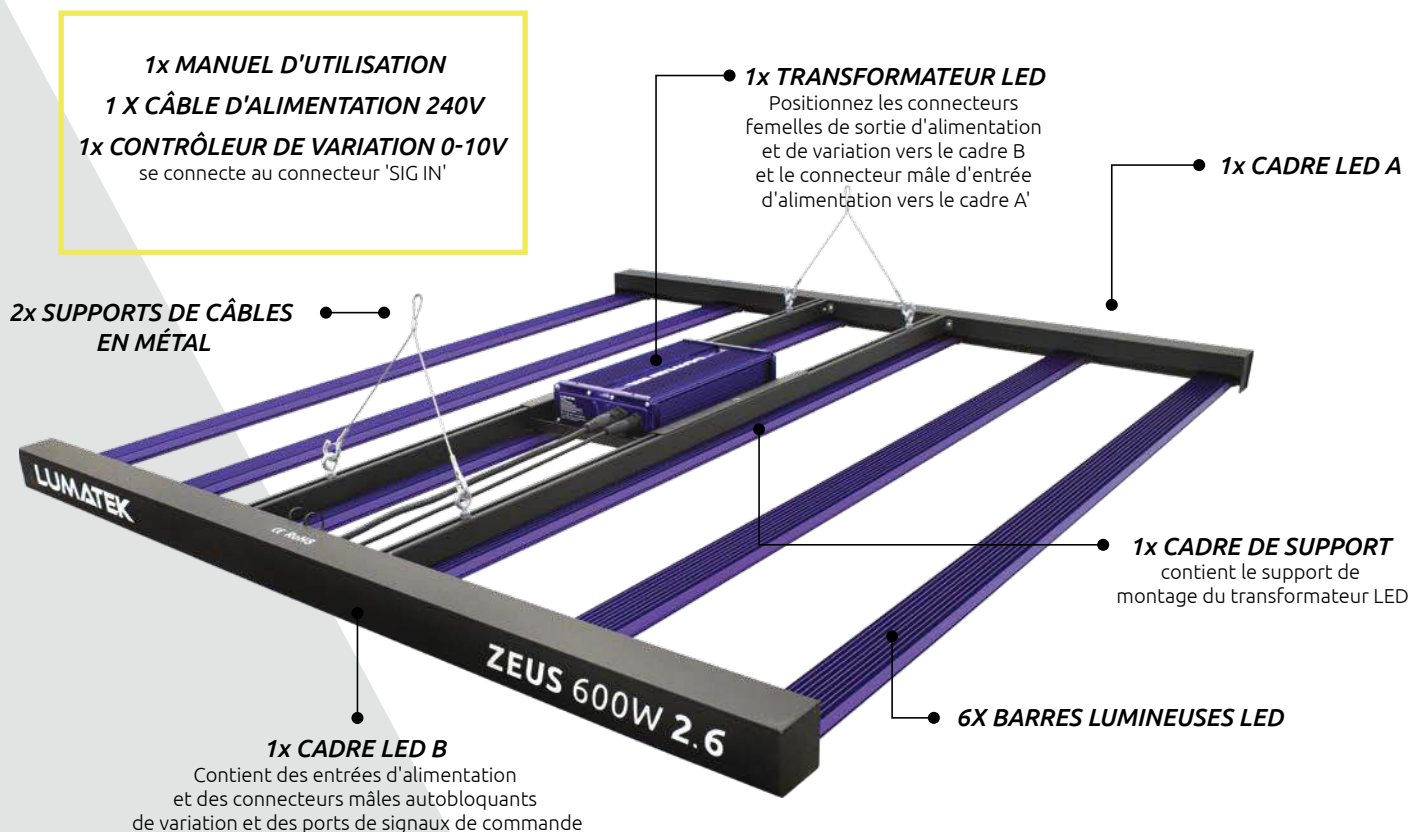
Ce produit est certifié CE et conforme aux normes de test des directives LVD et EMC.

4. RECOMMANDATIONS DE SÉCURITÉ ET AVERTISSEMENTS

Avertissement ! Lisez attentivement les avertissements ci-dessous avant d'utiliser ou de travailler avec le produit !

- Respectez toujours les règles et réglementations locales lors de l'installation ou de l'utilisation du luminaire à LED.
- N'ouvrez pas ou ne démontez pas le luminaire à LED car il ne contient aucune pièce réparable. Ouvrir ou modifier le luminaire à LED peut être dangereux et annule la garantie.
- N'utilisez pas le luminaire à LED si le luminaire à LED ou son câble d'alimentation sont endommagés. Remplacez le câble d'alimentation uniquement par un câble de valeur nominale correcte.
- Les modifications apportées aux câbles peuvent entraîner des effets électromagnétiques indésirables qui peuvent rendre le produit non conforme aux exigences légales.
- N'exposez pas le luminaire à LED à :
De l'humidité condensée, brume épaisse ou pulvérisation directe ;
Des températures ambiantes en dehors de la plage spécifiée ;
De la poussière et de la pollution ;
- La lumière directe du soleil pendant l'utilisation ou de la lumière HID qui pourraient conduire à la surchauffe du transformateur.
- Débranchez toujours le luminaire à LED du secteur avant d'effectuer tout entretien.
- Laissez toujours refroidir l'appareil pendant au moins 20 à 30 minutes avant de le toucher. Si vous touchez le luminaire à LED lorsqu'il est allumé ou immédiatement après, vous risquez de vous brûler !
- La convection naturelle évacue la chaleur du dissipateur. Pour que le système puisse se refroidir correctement, un espace d'au moins 5 cm est nécessaire entre l'appareil et le toit de votre espace de culture.
- N'utilisez pas de matériaux abrasifs ou de produits de nettoyage agressifs pour nettoyer le luminaire à LED car cela pourrait endommager l'optique secondaire. Utilisez plutôt un tissu/chiffon propre, humide ou sec.
- N'utilisez pas le luminaire à LED à proximité de substances inflammables, explosives ou réactives. Le luminaire à LED peut atteindre des températures de 40°C.
- Ne pas utiliser de vaporisateurs de soufre ou de brumisateurs d'eau.
- L'installation et l'utilisation du luminaire à LED sont de la responsabilité de l'utilisateur final. Une utilisation ou une installation incorrecte peut entraîner une panne et endommager le luminaire à LED. Tout dommage au luminaire à LED et aux circuits électroniques résultant d'une installation ou d'une utilisation incorrecte annule la

5. CONTENU



6. INSTALLATION

Avertissement ! Le montage et l'installation du luminaire à LED doivent être conformes aux lois et réglementations locales en vigueur.

Avertissement ! L'installateur est responsable d'une installation correcte et sécurisée.

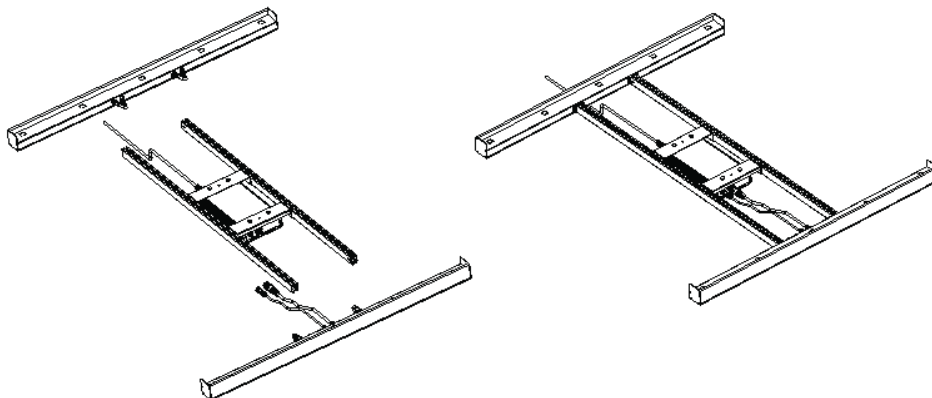
Avertissement ! Assurez-vous que le câblage local peut supporter les exigences de tension et de courant du luminaire à LED.

Avertissement ! Évitez les câbles en spirale et gardez les fils d'alimentation séparés pour contribuer à l'évitement des interférences électromagnétiques.

Avertissement ! Ne pas connecter ou déconnecter le luminaire à LED sous tension.

6.1 Montage et installation du luminaire

Connectez les cadres A et B au cadre de support en appuyant sur le bouton du connecteur de cadre et en l'insérant dans la douille du cadre de support et en le verrouillant. Veillez à ce que le bouton s'enclenche dans la douille du trou pour se verrouiller.

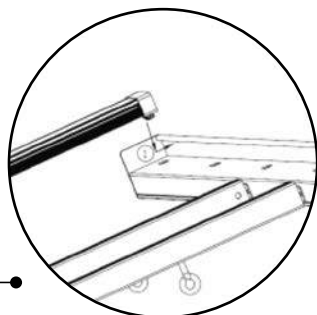


Connectez le cadre B à l'extrémité du cadre de support près des connecteurs femelles de sortie d'alimentation et de variation du transformateur LED.

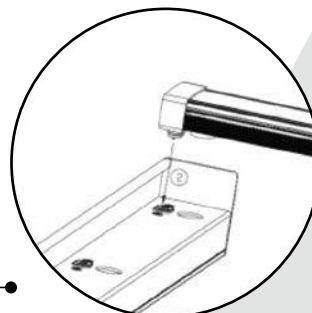
Notez le sens de l'installation, le support de montage du transformateur LED est sur le dessus lorsque le luminaire est suspendu.

6.2 Connecter les barres lumineuses LED

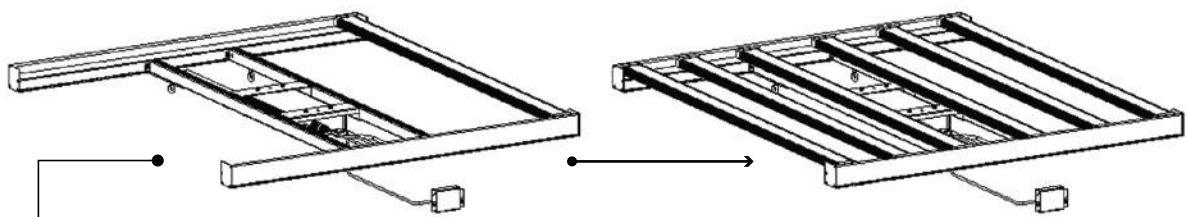
Avertissement ! Les barres lumineuses sont expédiées avec des couvercles de protection en plastique sur les diodes. Veillez à ce que ces protections soient retirées avant l'utilisation !



Installez d'abord l'extrémité du crochet ;
Insérez le crochet dans le trou carré.



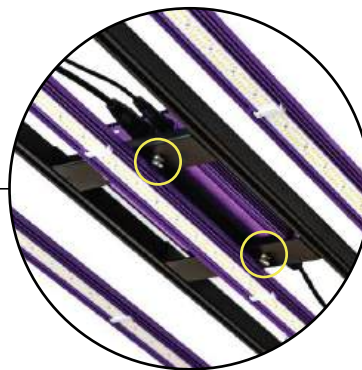
Insérez ensuite l'autre extrémité ; alignez le connecteur magnétique de la barre lumineuse avec le trou rond du connecteur du cadre et insérez la broche mâle dans la prise femelle. Assurez-vous que la connexion magnétique est bien fixée.



- Assemblez le reste des barres lumineuses dans le cadre du luminaire.

6.3 Connecter et déconnecter le transformateur

Vis de maintien du montage du transformateur LED



Le transformateur LED est fixé au support de montage à l'aide de vis de rétention traversant le support et pénétrant dans la plaque de base du transformateur. Pour une plus grande flexibilité, le transformateur peut être déconnecté du luminaire et utilisé à distance en utilisant les câbles d'extension de 5m du transformateur LED de Lumatek (vendus séparément).



Pour connecter la sortie du transformateur et du contrôleur de variation à l'appareil, assurez-vous que les connecteurs mâles autobloquants d'alimentation et de variation sont correctement alignés avec les connecteurs femelles correspondants du transformateur et poussez-les ensemble jusqu'à ce qu'ils soient verrouillés par un clic.

Pour déconnecter, tournez le connecteur mâle dans le sens inverse des aiguilles d'une montre pour le déverrouiller et le séparer du connecteur femelle.

6.4 Changement et remplacement des barres lumineuses et utilisation modulaire

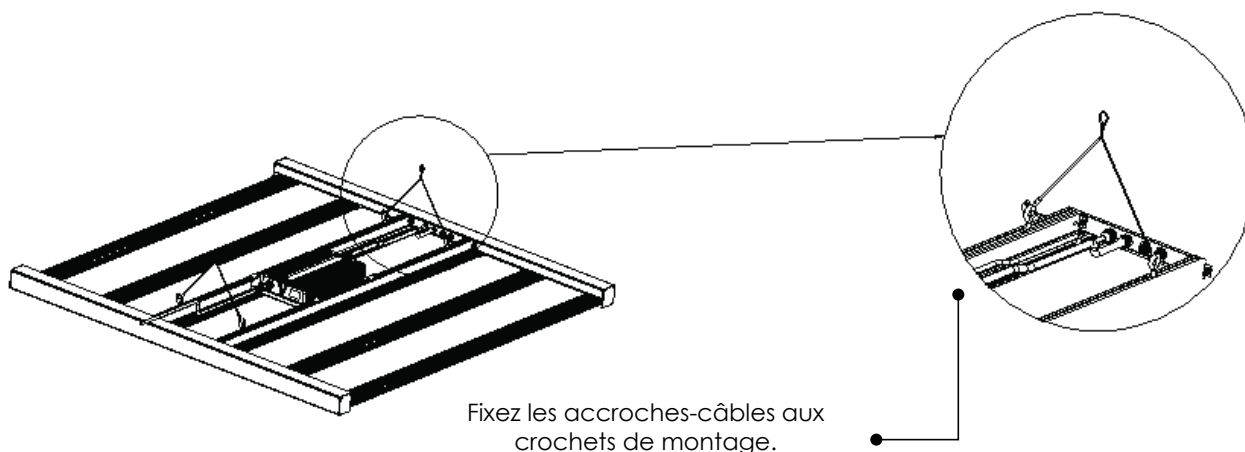
La conception modulaire du luminaire LED utilise un transformateur LED intelligent qui peut diminuer ou augmenter automatiquement la puissance en fonction du nombre de barres lumineuses de 100 W installées dans le luminaire. Si toutes les barres lumineuses ne sont pas nécessaires, le pilote ne consommera que la puissance requise pour le nombre de barres lumineuses connectées. Par exemple, si trois barres lumineuses sont connectées, le transformateur ne consommera que 300 W pour les alimenter.

Attention ! Au moins une barre lumineuse doit être installée dans le luminaire avant de l'allumer.

6.5 Installation du luminaire

Attention ! Montez le système sur quelque chose qui peut supporter le poids du luminaire à LED.

Assurez-vous que toutes les barres lumineuses sont installées correctement et sont bien fixées. Retournez soigneusement le luminaire et fixez les crochets de câbles métalliques aux crochets de montage. Accrochez le luminaire dans la position et à la hauteur requises. Pour une performance optimale, placez le luminaire à 30-50 cm au-dessus de la couverture végétale pour une diffusion de la lumière de 1.4 x 1.4 m. Veillez à ce que l'appareil soit suspendu horizontalement.



6.6 Raccordement du variateur manuel ou du contrôleur d'éclairage externe

Le variateur de lumière ou le contrôleur d'éclairage est connecté au connecteur "SIG IN" sur le cadre du projecteur. Cela permet de régler l'intensité lumineuse (sortie PPF) en fonction des besoins. L'intensité lumineuse du luminaire à LED peut être ajustée sans modifier la distribution de la puissance spectrale relative ni perdre en efficacité.

Retirez le capuchon et assurez-vous que les connecteurs mâle et femelle sont correctement alignés, puis poussez-les l'un vers l'autre jusqu'à ce qu'ils soient verrouillés par un clic. Pour déconnecter, tournez le verrou tournant dans le sens inverse des aiguilles d'une montre et séparez-les.

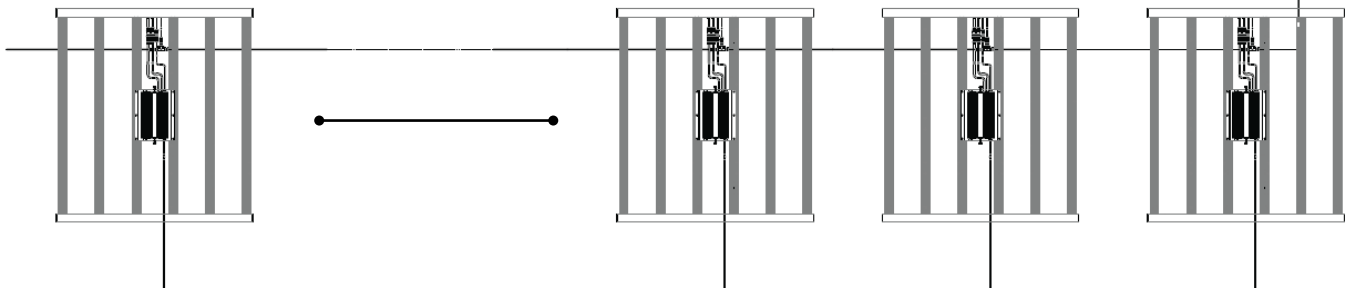
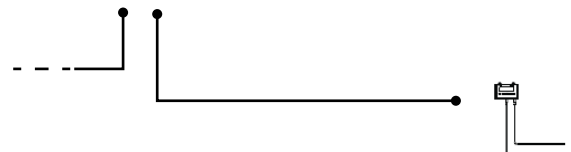
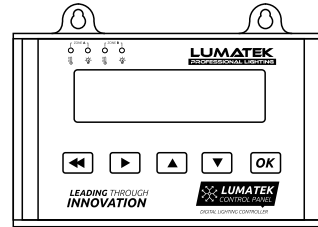


Connectez le câble du variateur manuel ou du contrôleur d'éclairage au port SIGNAL IN.

6.7 Connexion des luminaires en série pour un contrôle externe

Pour des instructions détaillées, veuillez vous référer au manuel du panneau de contrôle Lumatek. Positionnez et suspendez chaque luminaire de manière appropriée. Les luminaires de la série Zeus utilisent un protocole de signal 0-10V pour le contrôle.

- Connectez le câble du signal de sortie du contrôleur au connecteur SIGNAL IN du luminaire 1. Connectez le câble de signal de contrôle en guirlande (vendu séparément) du connecteur SIGNAL OUT du luminaire 1 au connecteur SIGNAL IN du luminaire 2.
- Continuez à connecter les appareils en série pour un maximum de 100 luminaires par contrôleur, voir Fig.



6.8 Raccordement du luminaire à LED au secteur

Avertissement ! Assurez-vous que l'alimentation secteur est coupée.

Avertissement ! Assurez-vous que le câble d'alimentation n'est pas enroulé et qu'il ne touche pas de surfaces chaudes.

Avertissement ! Connectez les câbles conformément aux règles locales, aux règlements de sécurité et au code électrique.

Attention ! Si vous n'utilisez pas de contrôleur d'éclairage externe, assurez-vous que le dispositif de commutation externe peut supporter le courant d'arrivée du luminaire à LED. Utilisez toujours un contacteur temporisé adapté à la commutation d'une charge capacitive. N'utilisez jamais de minuteur domestique pour allumer le luminaire à LED !

Attention ! Ne connectez ou déconnectez pas la lampe LED sous tension.

Assurez-vous que le connecteur femelle autobloquant du câble d'alimentation du pilote LED est correctement aligné sur le connecteur mâle correspondant du pilote et poussez jusqu'à ce qu'il soit verrouillé.

Branchez la fiche d'alimentation secteur sur l'appareil de commutation/l'alimentation électrique.

Mettez l'appareil sous tension.

7. PRÉCAUTIONS À PRENDRE LORS DE L'USAGE DE LA LAMPE LED

Attention ! Assurez-vous qu'il y est toujours au moins une barre lumineuse connectée à la lampe avant de l'allumer. La lampe Zeus Pro embarque un transformateur LED intelligent qui peut automatiquement détecter les variations de puissance afin de s'ajuster à la puissance des barres lumineuses connectées au système.

Attention ! Attendez toujours entre 20 et 30 minutes afin que les barres lumineuses LED refroidissent.

8. INSPECTION, MAINTENANCE ET RÉPARATION

Attention ! Déconnectez les 4 lampes LED de l'alimentation avant d'effectuer toute maintenance ou réparation.

Attention ! Ne connectez ou déconnectez pas la lampe LED sous tension.

Attention ! N'ouvrez pas et ne démontez pas la lampe LED car elle contient des pièces non remplaçables à l'intérieur. L'ouverture ou la modification de la lampe LED peut être dangereux et révoquera sa garantie.

Attention ! Attendez toujours entre 20 et 30 minutes afin que les barres lumineuses LED refroidissent.

Avertissement ! Ne nettoyez pas la lampe LED avec des détergents, produits abrasifs ou toute autre substance agressive.

Vérifiez régulièrement qu'il n'y est pas d'accumulation de poussière ou de saletés sur la lampe LED. Nettoyez-la si nécessaire. La pollution peut causer la surchauffe et une baisse de performances. Nettoyez l'extérieur de la lampe LED à l'aide d'un chiffon sec ou humide.

Vérifiez régulièrement que les câbles de la lampe LED ne soient pas endommagés.

9. STOCKAGE ET DISPOSITION

Stockez le luminaire LED dans un environnement sec et propre, avec une température ambiante de -25°C à 55°C.

Le produit ne doit pas être jeté comme un déchet municipal non trié, mais doit être collecté séparément à des fins de traitement, de récupération et d'élimination écologiquement propre.

10. GARANTIE

Lumatek garantit que les composants mécaniques et électroniques de son produit sont exempts de défauts de matériaux et de fabrication s'ils sont utilisés dans des conditions normales d'exploitation pendant une période de cinq (5) ans à compter de la date d'achat originale. Si le produit présente des défauts pendant cette période et que ces défauts ne sont pas dus à une erreur de l'utilisateur ou à une utilisation incorrecte, Lumatek remplacera ou réparera, à sa discrétion, le produit en utilisant des produits ou des pièces neufs ou reconditionnés. Dans le cas où Lumatek décide de remplacer l'ensemble du produit, cette garantie limitée s'appliquera au produit de remplacement pour la période de garantie initiale restante, c'est-à-dire cinq (5) ans à compter de la date d'achat du produit original. Pour ce service, retournez le produit à votre magasin avec le reçu d'achat original.

LUMATEK ZEUS 600W 2.6 LED MANUÁL

ČEŠTINA

OBSAH

1. **Úvod**
2. **Popis produktu**
3. **Informace o produktu a technické údaje**
 - 3.1 Obecné informace o produktu
 - 3.2 Technické specifikace
 - 3.3 Rozměry svítidla
 - 3.4 Spektrální kvantový graf distribuce
 - 3.5 Křivka rozložení světla
 - 3.6 Prostředí
 - 3.7 Právní
4. **Bezpečnostní doporučení a varování**
5. **Obsah**
6. **Instalace**
 - 6.1 Montáž a instalace svítidla
 - 6.2 Připojení světelných LED lišt
 - 6.3 Připojení a odpojení ovladače
 - 6.4 Výměna světelných lišt a modulární použití
 - 6.5 Instalace svítidla
 - 6.6 Připojení ručního stmívače nebo externího ovladače osvětlení
 - 6.7 Připojení zařízení do série pro externí ovládání
 - 6.8 Připojení LED zařízení k elektrické síti
7. **Opatření při používání LED svítidla**
8. **Inspekce, údržba a opravy**
9. **Skladování a likvidace**
10. **Záruka**

1. ÚVOD

Děkujeme, že jste si zakoupili lineární LED svítidlo Lumatek Zeus 600W 2.6 s více světelnými lištami. Tato příručka popisuje jak nainstalovat a používat zařízení Zeus ; před instalací nebo provozováním jakéhokoli systému řady Lumatek Zeus si pečlivě přečtěte tuto příručku. Pokud si nejste jisti instalací vysoce výkonných osvětlovacích systémů, měli byste vyhledat služby kvalifikovaného odborníka na instalaci.

2. POPIS PRODUKTU

Lumatek Zeus 600W 2.6 LED je elektronické zahradní LED svítidlo využívající lineární design s šest LED světelnými 100W lištami 'Full Spectrum' a inteligentním ovladačem, díky kterému je svítidlo externě ovladatelné a stmívatelné. Svítidlo ZUES 600W 2.6 je ultravysoké výkonné špičkové osvětlovací řešení pro komerční pěstování, s výkonem a flexibilitou v rozsahu od klíčení a klonování přes vegetativní růst až po vyšší intenzitu světla v květu. V této příručce bude Lumatek Zeus 600W 2.6 LED označován jako: „LED svítidlo“.

3. INFORMACE O PRODUKTU A SPECIFIKACE

3.1 Obecné produktové informace

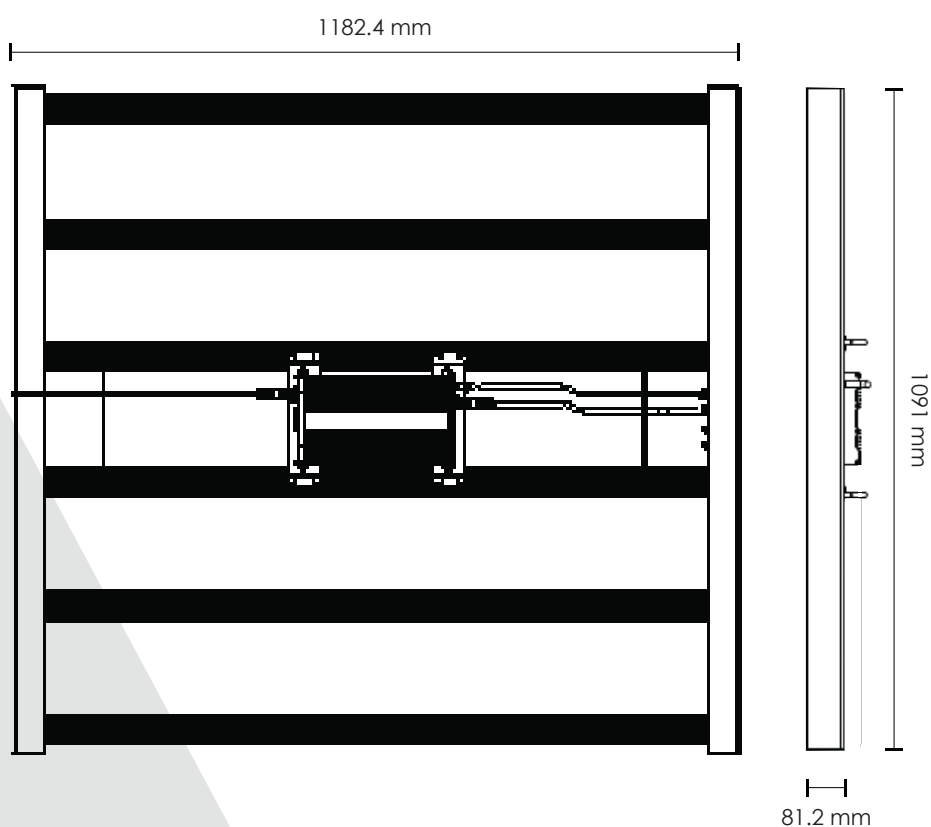
| | |
|----------------|-------------------|
| JMÉNO PRODUKTU | Zeus 600W 2.6 LED |
| KÓD PRODUKTU | LUMLED020 |
| VÝROBCE | Lumatek EU |
| EAN | 5060560031789 |
| TYP ZÁSTRČKY | UK/EU |

3.2 Technické specifikace

| | |
|--|---|
| PPF | 1570 $\mu\text{mol/s}$ |
| ÚČINNOST | Až k 2.6 $\mu\text{mol/J}$ |
| SPEKTRUM | Celé spectrum |
| ZDROJ SVĚTLA | Vyšší spec LUMILEDS (W) & Osram (R) LED |
| ROZMĚRY | 1091 x 1182.4 x 81.2mm |
| HMOTNOST | 13.5Kg |
| ŽIVOTNOST | 60000H |
| PRACOVNÍ TEPLOTA | -20° -- +40°C |
| PRACOVNÍ VLHKOST | 20% - 90% |
| VODOTĚSNOST/ PRACHOTĚSNOST | IP65 |
| ÚHEL PAPERSKU | 120° |
| MANUÁLNÍ OVLADAČ STMÍVÁNÍ / EXTERNÍHO OSVĚTLENÍ | 0-10V signální protokol |

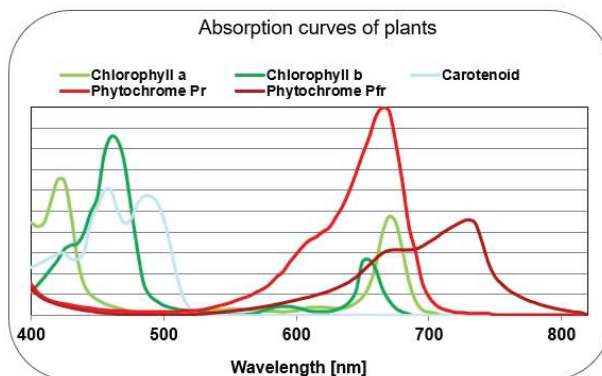
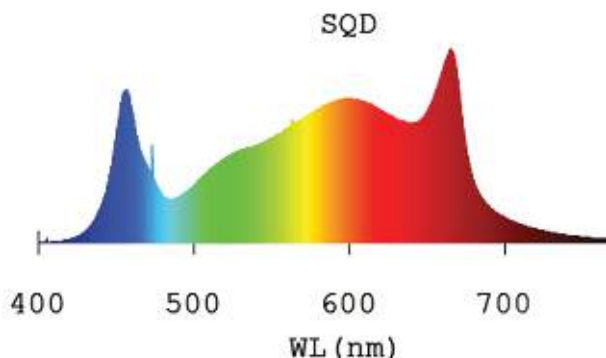
| VSTUPNÍ NAPĚTÍ (V) | POMĚR STMÍVÁNÍ | PŘÍKON (W) | VSTUPNÍ PROUD (A) |
|---------------------------|-------------------|---------------|----------------------|
| Vmains=230V 50/60Hz AC | 100% | 623 | 2.76 |
| | 75% | 481 | 2.15 |
| | 50% | 309 | 1.42 |
| | 25% | 160 | 0.81 |
| Vmains=240V 50/60Hz AC | 100% | 623 | 2.65 |
| | 75% | 481 | 2.07 |
| | 50% | 309 | 1.37 |
| | 25% | 161 | 0.8 |
| Vmains=277V 50/60Hz AC | 100% | 621 | 2.32 |
| | 75% | 480 | 1.84 |
| | 50% | 304 | 1.23 |
| | 25% | 162 | 0.74 |

3.3 Rozměry svítidla

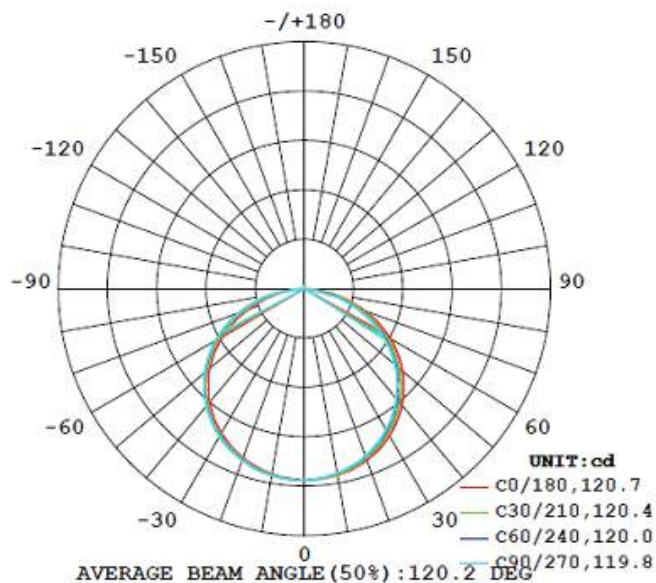


3.4 Spektrální distribuce kvantového grafu

Řada Zeus Pro využívá vysoce výkonné a vysoce efektivní bílé a červené pěstitelské LED diody k vytvoření celého vyváženého spektra kvalitního světla, které je ideální pro fotosyntézu.



3.5 Křivka rozložení světla



3.6 Prostředí

LED svítidlo je určeno k použití v klimaticky řízených pěstírnách a vnitřních farmách. Produkt může být používán ve vlhkém prostředí, ale nesmí být používán v mokřem prostředí nebo venku.

Produkt bude fungovat při teplotách okolí od -10°C do 40°C , ale bude fungovat na optimální úrovni mezi 20°C až 30°C .

Produkt bude fungovat při 20% - 90% vlhkosti bez kondenzace.

3.7 Právní

Tento výrobek je CE certifikován v souladu s testovacími normami směrnice LVD a EMC.

4. BEZPEČNOSTNÍ DOPORUČENÍ A VAROVÁNÍ

Varování! Před použitím nebo prací s výrobkem si pozorně přečtěte níže uvedená varování!

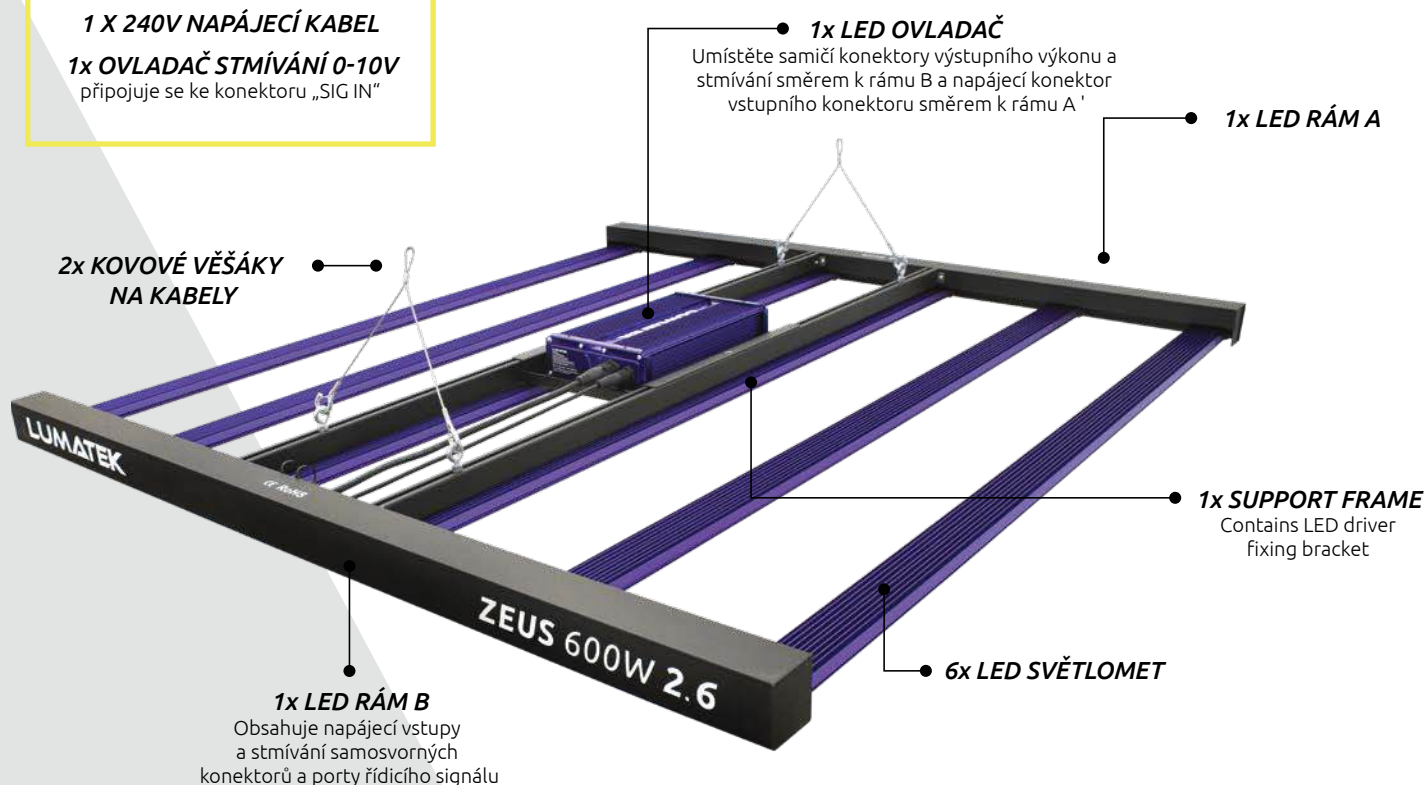
- Při instalaci nebo používání LED svítidla vždy dodržujte místní pravidla a předpisy.
- Neotvírejte ani nerozebírejte LED svítidlo. Uvnitř neobsahuje žádné opravitelné součásti. Otevření nebo úprava LED svítidla může být nebezpečné a ruší záruku.
- Nepoužívejte LED zařízení, pokud je LED zařízení poškozeno nebo pokud je poškozen jeho napájecí kabel. Vyměňte napájecí kabel pouze za správně dimenzovaný kabel.
- Úpravy kabelů mohou vést k nežádoucím elektromagnetickým účinkům, které mohou způsobit, že produkt nebude splňovat zákonné požadavky.
- Nevystavujte svítidlo LED:
 - Kondenzující vlhkosti, husté mlze nebo přímému postříku;
 - Okolní teploty mimo stanovený rozsah;
 - Prach a znečištění;
 - Přímé sluneční světlo během používání nebo HID světlo, které může zahřát zdroj.
- Před prováděním jakékoli údržby vždy odpojte LED zařízení od sítě.
- Než se LED zařízení dotknete, nechte zařízení vždy alespoň 20 - 30 minut vychladnout. Dotknutí se LED zařízení, když je zařízení zapnuté, nebo bezprostředně poté, může způsobit popáleniny!
- Přirozená konvekce odvádí teplo od chladiče. Aby se systém dostatečně chladil, je zapotřebí alespoň 5 cm prostoru mezi přípravkem a střešou vaší pěstiny.
- K čištění LED svítidla nepoužívejte abrazivní materiály ani agresivní čisticí prostředky, protože by mohlo dojít k poškození sekundární optiky. Místo toho použijte čistou vlhkou nebo suchou látku/hadřík.
- Nepoužívejte LED svítidlo v blízkosti hořlavých, výbušných nebo reaktivních látek. LED svítidlo může dosáhnout teploty 40 ° C.
- Nepoužívejte sirné odpařovače ani vodní mlhy.
- Za instalaci a používání LED svítidla odpovídá konečný uživatel. Nesprávné použití nebo instalace může vést k poruše a poškození LED svítidla. Poškození LED svítidla a elektronických obvodů v důsledku nesprávné instalace a použití ruší záruku.

5. OBSAH

1x UŽIVATELSKÁ PŘÍRUČKA

1 X 240V NAPÁJECÍ KABEL

1x OVLADAČ STMÍVÁNÍ 0-10V
připojuje se ke konektoru „SIG IN“



6. INSTALACE

Varování! Montáž a instalace LED svítidla musí být v souladu s příslušnými místními zákony a předpisy.

Varování! Instalační technik odpovídá za správnou a bezpečnou instalaci.

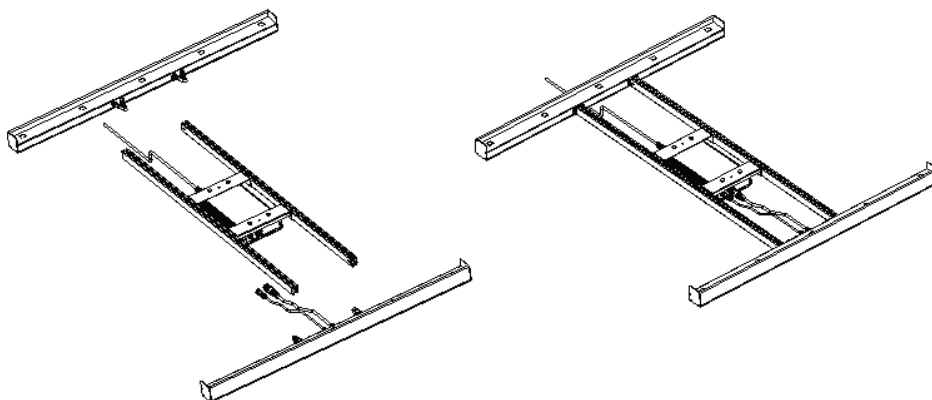
Varování! Zajistěte, aby místní kabeláž mohla podporovat požadavky na napětí a proud LED svítidla.

Varování! Vyvarujte se stočených kabelů a udržujte napájecí kabely odděleně. Zabráňte elektromagnetickému rušení.

Varování! Nepřipojujte ani neodpojujte LED svítidlo pod zátěží.

6.1 Montáž a instalace svítidla

Připojte rám A a B k nosnému rámu stisknutím tlačítka na konektoru rámu a zasunutím do objímky nosného rámu a uzamknutím. Zajistěte, aby knoflíky zacvakly do objímky otvoru.

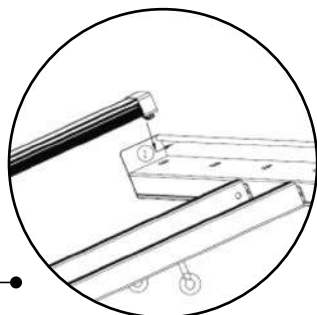


Připojte rám B k podpoře konce rámu poblíž napájecího výstupu LED ovladače a strmicových konektorů.

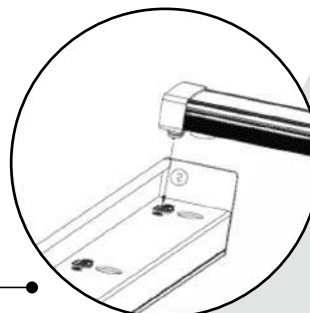
Při instalaci si všimněte směru, když je zařízení zavěšeno, montážní držák LED ovladače je nahoře.

6.2 Připojte světelné lišty LED

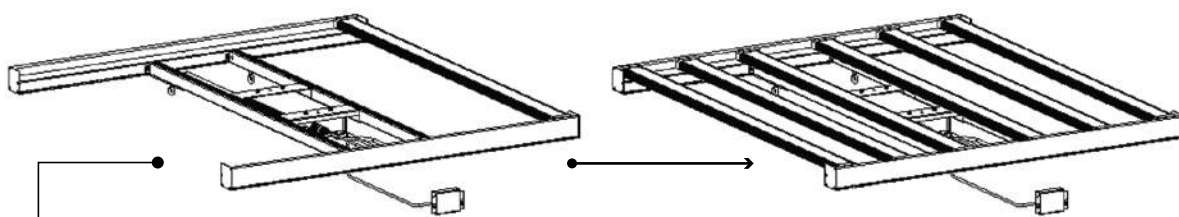
Varování! Světelné lišty jsou dodávány s ochrannými plastovými kryty přes diody. Před použitím se ujistěte, že jsou tyto ochranné kryty odstraněny!



Nejprve nainstalujte konec háku;
Zasuňte hák do čtvercového otvoru



Poté vložte druhý konec; zarovnejte konektor magnetu světelné lišty s kulatým otvorem na konektoru rámu a zasuňte kolík do zásuvky. Ujistěte se, že magnetické připojení je bezpečné.



- Sestavte zbytek světelných lišt do rámečku svítidla.

6.3 Připojte a odpojte ovladač

Upevňovací šrouby pro uchycení LED ovladače



LED ovladač je připevněn k montážní konzole pomocí přídržných šroubů skrz konzolu do základní desky ovladače. Pro větší flexibilitu lze ovladač odpojit od svítidla a použít jej dálkově pomocí prodlužovacích LED kabelů Lumatek 5m (prodává se samostatně).



Pro připojení výstupu ovladače a ovládání stmívání k zařízení; ujistěte se, že napájecí a stmívací samosvorné konektory jsou správně zarovnány s odpovídajícími zásuvkami na ovladači a zatlačte je k sobě, až nezaklapnou.

Odpojení; otočením zástrčky proti směru hodinových ručiček odemknete a vytáhněte je od zásuvky.

6.4 Výměna světelných lišt a modulární použití

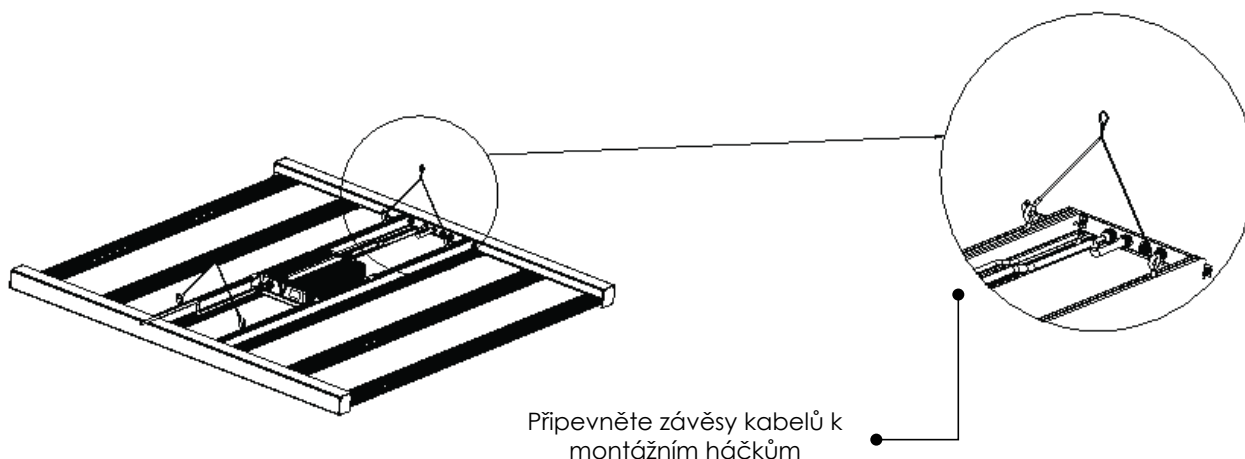
Modulární design LED svítidla využívá inteligentní LED ovladač, který může snížit nebo zvýšit výkon tak, aby odpovídal množství světelných 100 W lišt instalovaných v svídle, a to vše automaticky. Pokud nejsou vyžadovány všechny světelné lišty, ovladač bude čerpat pouze tolik energie, kolik je potřebnej pro množství připojených světelných lišt, např. Pokud jsou připojeny tři světelné lišty, budou ovladače napájet pouze 300 W.

Varování! Před zapnutím musí být v svídle nainstalována alespoň jedna světelná lišta.

6.5 Instalace svítidla

Varování! Připevněte systém na něco, co unese váhu LED svítidla.

Ujistěte se, že jsou všechny světelné lišty nainstalovány správně a bezpečně. Opatrně otočte svídlo a připevněte kovové závěsy kabelů k montážním háčkům. Zavěste svídlo do požadované polohy a výšky. Pro optimální výkon umístěte svídlo 30 - 50 cm nad vrchlík rostliny pro rozptyl světla 1.4 x 1.4 m. Ujistěte se, že zařízení je zavěšeno vodorovně.



6.6 Připojení ručního stmívače nebo externího ovladače osvětlení

Ovládání stmívače nebo ovladače osvětlení je připojeno ke konektoru „SIG IN“ na rámečku zařízení. To umožňuje podle požadavků upravit intenzitu světla (výstup PPF). Intenzitu světla LED svítidla lze upravit beze změny relativního rozložení spektrálního výkonu nebo ztráty účinnosti.

Sejměte protiprachovou krytku a ujistěte se, že jsou zástrčky a zásuvky správně zarovnané, a poté je tlačte k sobě, až nezaklapnou. Pro odpojení otočte otočným zámkem proti směru hodinových ručiček a vytáhněte jej od sebe.



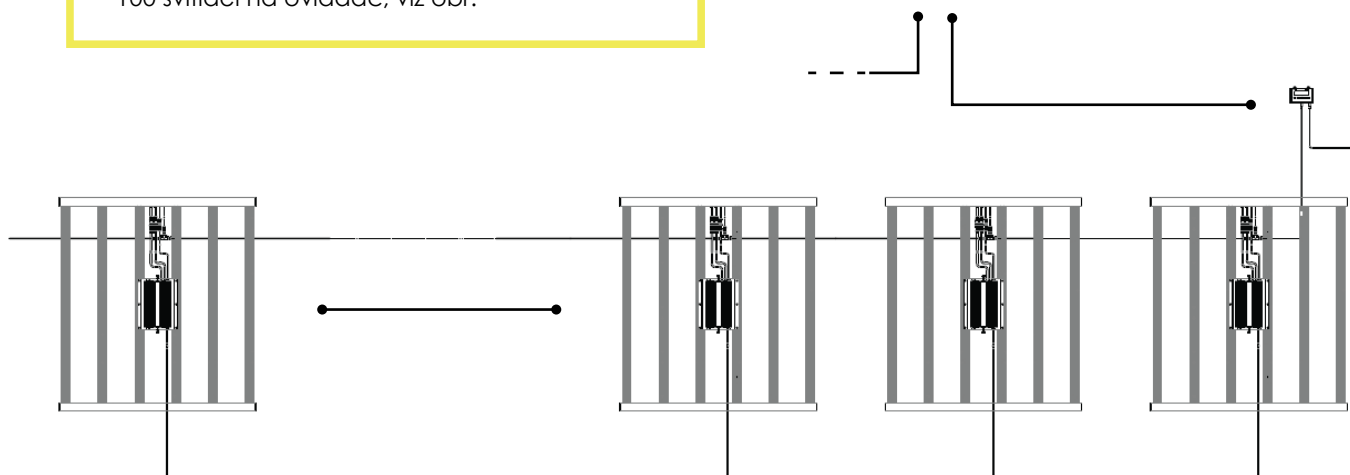
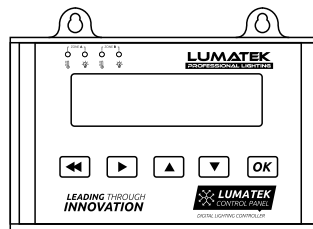
Připojte kabel ručního stmívače nebo kabelu ovladače osvětlení k portu SIGNAL IN

6.7 Připojení zařízení do série pro externí ovládání

Podrobné pokyny naleznete v příručce k ovládacímu panelu Lumatek.

Umístěte a zavěste každé zařízení odpovídajícím způsobem. Svítidla řady Zeus používají k ovládání protokol signálu 0-10V.

- Připojte kabel výstupního signálu ovladače k konektoru 1 SIGNAL IN. Připojte řídicí signální kabel se sériovým zapojením (prodává se samostatně) z konektoru SIGNAL OUT zařízení 1 do konektoru SIGNAL IN zařízení 2.
- Pokračujte v připojování svítidel do série až pro 100 svítidel na ovladač, viz obr.



6.8 Připojení LED zařízení k elektrické síti

Varování! Ujistěte se, že je napájení ze sítě vypnuto.

Varování! Zajistěte, aby napájecí kabel nebyl svinut a nedotýkal se žádných horkých povrchů.

Varování! Připojte kabely podle místních předpisů, bezpečnostních předpisů a elektrických předpisů.

Varování! Pokud nepoužíváte externí ovladač osvětlení, ujistěte se, že si externí spínací zařízení dokáže poradit se startovacím proudem LED svítidel. Vždy používejte stykač časovače vhodný pro spínání kapacitní zátěže. K přepínání LED zařízení nikdy nepoužívejte časovače pro domácnost!

Varování! Nepřipojujte ani neodpojujte LED zařízení při zatížení.

Ujistěte se, že samosvorný samičí konektor kabelu napájecího zdroje LED je správně zarovnan s odpovídajícím samčím konektorem na ovladači a jsou zatlačeny k sobě, dokud nezaklapnou. Pro odpojení otočte samičí konektor proti směru hodinových ručiček, čím jej odemknete a potáhněte od řidiče.

Připojte zástrčku ze sítě ke spínacímu zařízení/napájecímu zdroji.

Zapněte síťové napájení.

7. OPATŘENÍ PŘI POUŽÍVÁNÍ LED SVÍTIDLA

Varování! Před zapnutím vždy zkontrolujte, zda je k zařízení připojena alespoň jedna světelná lišta. Svítidlo Zeus Pro má inteligentní LED ovladač, který může zvyšovat nebo snižovat výkon tak, aby automaticky odpovídal množství světelných lišt připojených k systému.

Varování! Před manipulací se zařízením vždy počkejte 20 - 30 minut, než se LED světelné lišty ochladí.

8. INSPEKCE, ÚDRŽBA A OPRAVY

Varování! Před prováděním jakékoli údržby nebo oprav odpojte LED svítidlo ze sítě.

Varování! Nepřipojujte ani neodpojujte LED svítidlo při zatížení.

Varování! Neotevírejte ani nerozebírejte LED svítidlo, uvnitř nejsou žádné opravitelné díly. Otevření LED svítidla může být nebezpečné a bude mít za následek ztrátu záruky.

Varování! Vždy počkejte 20 - 30 minut, než LED světelné lišty vychladnou.

Pozor! LED svítidlo nečistěte čistícími prostředky, abrazivy nebo jinými agresivními látkami.

Pravidelně kontrolujte, zda se v LED zařízení nehromadí prach nebo nečistoty. V případě potřeby jej vyčistěte. Kontaminace může způsobit přehřátí a snížení výkonu.

Vnější část LED svítidla čistěte suchým nebo vlhkým hadříkem.

Pravidelně kontrolujte kabely LED svítidla, zda nejsou poškozené.

9. SKLADOVÁNÍ A LIKVIDACE

Uchovávejte LED svítidlo v suchém a čistém prostředí s okolní teplotou od -25 ° C do 55 ° C.

Produkt nesmí být likvidován jako netříděný komunální odpad, ale musí být separován odděleně za účelem zpracování, využití a ekologické likvidace.

10. ZÁRUKA

Společnost Lumatek zaručuje, že mechanické a elektronické součástky jejich produktu neobsahují vady materiálu a zpracování, pokud jsou používány za normálních provozních podmínek po dobu pěti (5) let od původního data nákupu. Pokud výrobek během této doby vykazuje vady a vada není způsobena chybou uživatele nebo nesprávným použitím, společnost Lumatek podle svého uvážení buď vymění nebo opraví produkt pomocí vhodných nových nebo repasovaných produktů nebo dílů. V případě, že se společnost Lumatek rozhodne vyměnit celý produkt, bude se tato omezená záruka vztahovat na náhradní produkt po zbývajících počáteční záruční dobu, tj. Pět (5) let od data zakoupení původního produktu. Pro servis; vraťte produkt do obchodu s originálním potvrzením o prodeji.

LUMATEK ZEUS 600W 2.6 LED

РУКОВОДСТВО ПО ЭКСПЛУАТАЦИИ

РУССКИЙ

ОГЛАВЛЕНИЕ

1. **Введение**
2. **Описание продукта**
3. **Информация о продукте и технические характеристики**
 - 3.1 Общая информация о продукте
 - 3.2 Технические характеристики
 - 3.3 Размеры приспособления
 - 3.4 График спектрального квантового распределения
 - 3.5 Кривая светораспределения
 - 3.6 Окружающая среда
 - 3.7 Юридическая информация
4. **Рекомендации и предупреждения по безопасности**
5. **Содержание**
6. **Установка**
 - 6.1 Сборка и установка приспособлений
 - 6.2 Подключение светодиодных полос
 - 6.3 Подключение и отключение драйвера
 - 6.4 Замена световых полос и модульное использование
 - 6.5 Установка приспособления
 - 6.6 Подключение ручного диммера или внешнего контроллера освещения
 - 6.7 Последовательное соединение светильников для внешнего управления
 - 6.8 Подключение светодиодного светильника к сети
7. **Меры предосторожности при использовании светодиодного светильника**
8. **Осмотр, обслуживание и ремонт**
9. **Хранение и утилизация**
10. **Гарантия**

1. ВВЕДЕНИЕ

Благодарим вас за приобретение линейного светодиодного светильника с несколькими световыми балками Lumatek Zeus 600W 2.6. В этом руководстве по эксплуатации дается подробное описание установки и использования прибора Zeus ; пожалуйста, внимательно прочтите это руководство, прежде чем пытаться установить или использовать любую систему Lumatek Zeus Series. Если вас не устраивает установка высокоэффективных систем освещения, вам необходимо обратиться за услугами к квалифицированному специалисту по установке.

2. ОПИСАНИЕ ПРОДУКТА

Lumatek Zeus 600W 2.6 LED - это электронный светодиодный светильник, предназначенный для садоводства, в котором используется линейная конструкция с 6 светодиодными полосами 100 Вт «Full Spectrum» и интеллектуальным драйвером, способным обеспечить внешнее управление и регулировку яркости. Светильник ZUES 600W 2.6 - это сверхвысокопроизводительное решение полного цикла верхнего освещения, предназначенный для коммерческого выращивания садоводства, обладающий мощностью и гибкостью для масштабирования от размножения и клонирования через вегетативный рост до более высокой интенсивности света при цветении.

В данном руководстве Lumatek Zeus 600W 2.6 LED будет называться «светодиодный светильник».

3. ИНФОРМАЦИЯ О ПРОДУКТЕ И ТЕХНИЧЕСКИЕ ХАРАКТЕРИСТИКИ

3.1 Общая информация о продукте

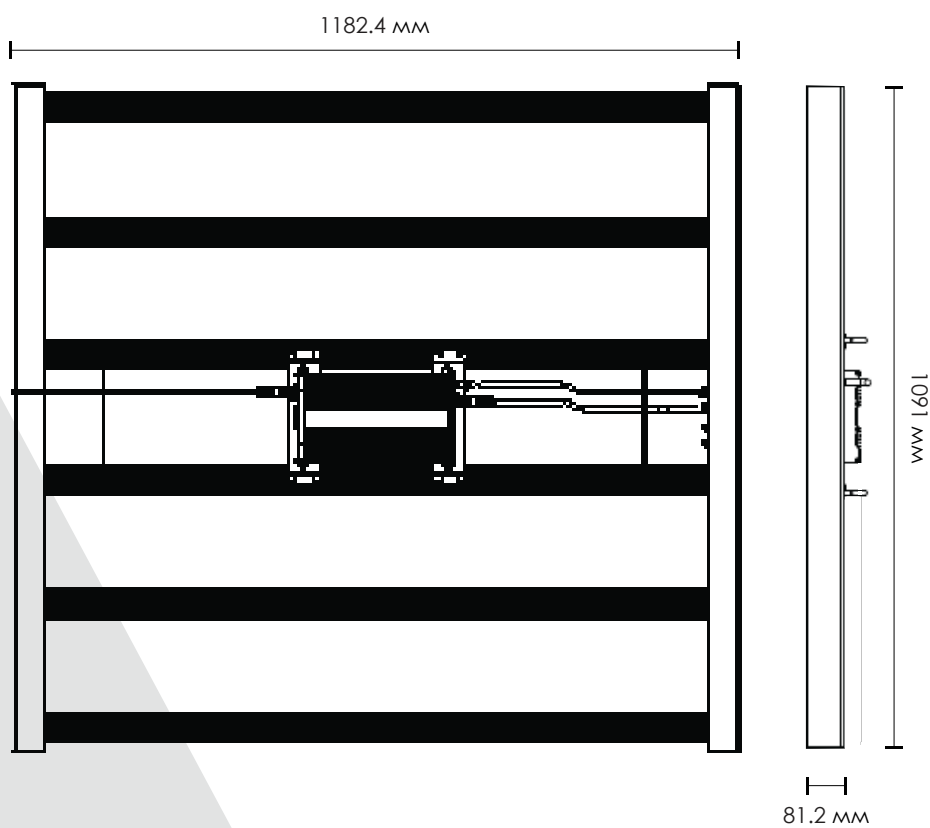
| | |
|---------------------|-------------------|
| НАИМЕНОВАНИЕ ТОВАРА | Zeus 600W 2.6 LED |
| КОД ПРОДУКТА | LUMLED020 |
| ПРОИЗВОДИТЕЛЬ | Lumatek EU |
| EAN | 5060560031789 |
| ТИП РОЗЕТКИ | UK/EU |

3.2 Технические характеристики

| | |
|--|---|
| PPF | 1570 мкмоль/с |
| ЭФФЕКТИВНОСТЬ | вплоть до 2.6 мкмоль/Дж |
| СПЕКТР | полный спектр |
| ИСТОЧНИК СВЕТА | более высокая спецификация LUMILEDS (W) & Osram (R) LED |
| ГАБАРИТНЫЕ РАЗМЕРЫ | 1091 x 1182.4 x 81.2 мм |
| МАССА | 13.5кг |
| ПРОДОЛЖИТЕЛЬНОСТЬ ЖИЗНИ | 60000ч |
| РАБОЧАЯ ТЕМПЕРАТУРА | -20° -- +40°C |
| РАБОЧАЯ ВЛАЖНОСТЬ | 20% - 90% |
| ВОДОНЕПРОНИЦАЕМЫЙ / ПЫЛЕНЕПРОНИЦАЕМЫЙ | IP65 |
| УГОЛ ЛУЧА | 120° |
| MANUÁLNÍ OVLADAČ STÍVÁNÍ / EXTERNÍHO OSVĚTLENÍ | 0-10В сигнальный протокол |

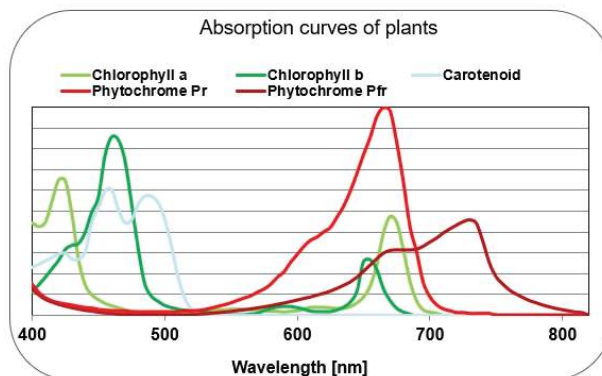
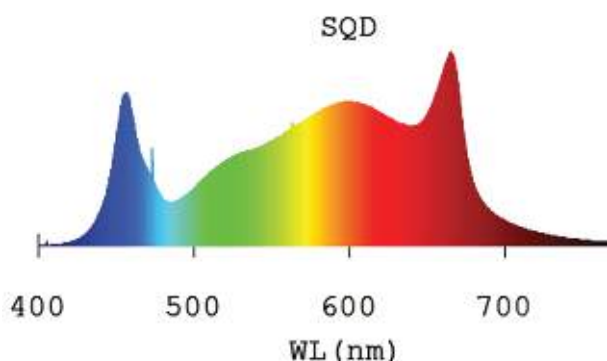
| ВХОДНОЕ НАПРЯЖЕНИЕ (В) | КОЭФФИЦИЕНТ ЗАТЕМНЕНИЯ | ВХОДНАЯ МОЩНОСТЬ (Вт) | ВХОДНОЙ ТОК (А) |
|--|------------------------|-----------------------|-----------------|
| V _{mains} =230V 50/60Гц AC | 100% | 623 | 2.76 |
| | 75% | 481 | 2.15 |
| | 50% | 309 | 1.42 |
| | 25% | 160 | 0.81 |
| V _{mains} =240V 50/60Гц AC | 100% | 623 | 2.65 |
| | 75% | 481 | 2.07 |
| | 50% | 309 | 1.37 |
| | 25% | 161 | 0.8 |
| V _{mains} =277V 50/60Гц AC | 100% | 621 | 2.32 |
| | 75% | 480 | 1.84 |
| | 50% | 304 | 1.23 |
| | 25% | 162 | 0.74 |

3.3 Размеры приспособления

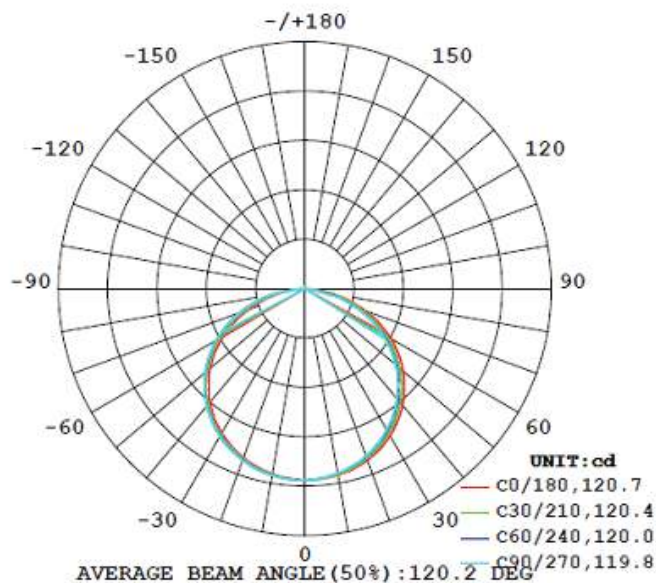


3.4 График спектрального квантового распределения

В серии Zeus Pro используются высокоэффективные белые и красные светодиоды для садоводства с верхним ящиком для создания сбалансированного полного спектра качественного света, идеально подходящего для фотосинтеза.



3.5 Кривая светораспределения



3.6 Окружающая среда

Светодиодный светильник создан для использования в комнатах для выращивания с контролируемым климатом и на закрытых фермах. Он подходит для использования во влажной среде, но нельзя использовать в мокрой среде или на открытом воздухе.

Светильник будет работать при температуре окружающей среды от -10°C до 40°C, но оптимальный уровень составляет от 20°C до 30°C.

Он будет работать при влажности от 20% до 90% без конденсации.

3.7 Юридическая информация

Этот продукт имеет сертификат CE, который соответствует стандартам испытаний директив LVD и EMC.

4. РЕКОМЕНДАЦИИ И ПРЕДУПРЕЖДЕНИЯ ПО БЕЗОПАСНОСТИ

Предупреждение! Внимательно прочтите приведенные ниже предупреждения перед использованием или работой с продуктом!

- Всегда соблюдайте местные правила и нормы при установке или использовании светодиодного светильника.
- Не открывайте и не разбирайте светодиодный светильник, так как внутри он не содержит деталей, подлежащих обслуживанию. Открытие или изменение светодиодного светильника может быть опасным и приведет к аннулированию гарантии.
- Если светодиодный светильник или его кабель питания повреждены, не используйте светодиодный светильник. Заменяйте шнур питания только на кабель правильного номинала.
- Модификация кабелей может привести к нежелательным электромагнитным эффектам, которые могут нарушить соответствие продукта требованиям законодательства.
- Не подвергайте светодиодный светильник воздействию:
 - Конденсирующая влажность, сильный туман или прямое распыление;
 - Температура окружающей среды вне указанного диапазона;
 - Пыль и загрязнения;
- Прямой солнечный свет во время использования или СКРЫТЫЙ свет, который способствует нагреву драйвера.
- Перед выполнением любого обслуживания всегда отключайте светодиодный светильник от сети.
- Всегда дайте остыть светодиодному светильнику не менее 20-30 минут, прежде чем прикасаться к нему. Прикосновение к светодиодному светильнику, когда он горит, или сразу после него, может привести к ожогам!
- Естественная конвекция отводит тепло от радиатора. Для того, чтобы система слишком хорошо остыла, необходимо как минимум 5 см пространства между приспособлением и крышей вашего участка для выращивания.
- Не используйте абразивные материалы или агрессивные чистящие средства для очистки светодиодного светильника, так как это может повредить вторичную оптику. Вместо этого используйте чистую влажную или сухую ткань / ткань.
- Не используйте светодиодный светильник рядом с легковоспламеняющимися, взрывчатыми или химически активными веществами. Светодиодный светильник может нагреваться до 40°C.
- Не используйте испарители серы или водяные густые растворы.
- Конечный пользователь несет ответственность за установку и использование светодиодного светильника. Неправильное использование или установка может привести к выходу из строя и повреждению светодиодного светильника. Повреждение светодиодного светильника и электронных схем в результате неправильной установки и использования аннулирует гарантию.

5. СОДЕРЖАНИЕ

1x РУКОВОДСТВО ПОЛЬЗОВАТЕЛЯ

1 X 240 В КАБЕЛЬ ПИТАНИЯ

1x КОНТРОЛЛЕР ЗАТЕМНЕНИЯ

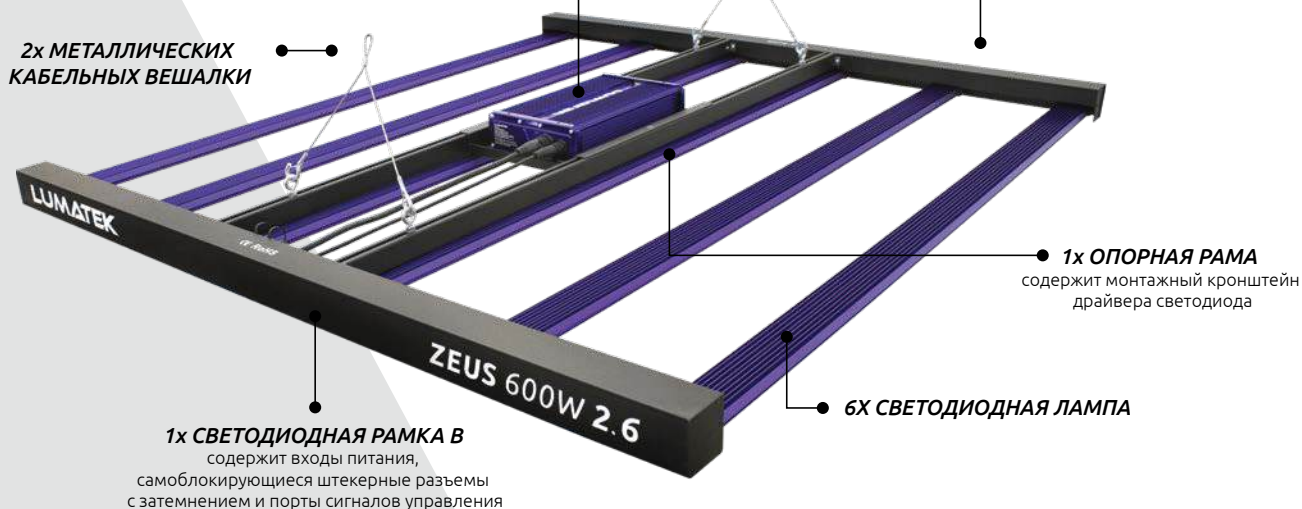
0-10 В

подключается к разъему «ВОЙТИ»

2x МЕТАЛЛИЧЕСКИХ
КАБЕЛЬНЫХ ВЕШАЛКИ

1x СВЕТОДИОДНЫЙ ДРАЙВЕР
Расположите гнездовые разъемы выхода питания и затемнения в направлении корпуса В, а входной разъем блока питания - в направлении корпуса А'

1x СВЕТОДИОДНАЯ
РАМКА А



1x СВЕТОДИОДНАЯ РАМКА В

содержит входы питания, самоблокирующиеся штекерные разъемы с затемнением и порты сигналов управления

1x ОПОРНАЯ РАМА
содержит монтажный кронштейн драйвера светодиода

6. УСТАНОВКА

Предупреждение! Монтаж и установка светодиодного светильника должны производиться в соответствии с применимыми местными законами и правилами.

Предупреждение! Установщик несет ответственность за правильную и безопасную установку.

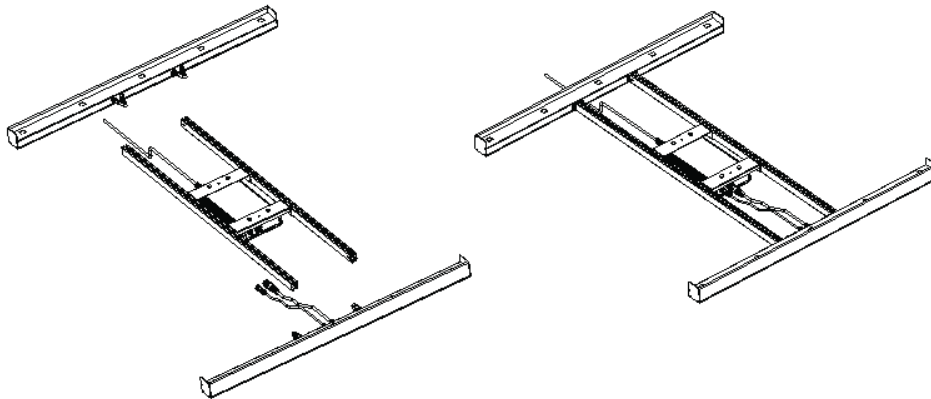
Предупреждение! Убедитесь, что местная кабельная разводка может поддерживать требования к напряжению и току светодиодного светильника.

Предупреждение! Избегайте скрученных кабелей и держите кабели отдельно друг от друга, чтобы предотвратить электромагнитные помехи.

Предупреждение! Не подключайте и не отключайте светодиодный светильник под нагрузкой.

6.1 Сборка и установка приспособлений

Соедините раму А и В с опорной рамой, нажав кнопку на соединителе рамы и вставив ее в гнездо опорной рамы и зафиксировав. Убедитесь, что кнопка защелкивается в отверстии гнезда для фиксации.

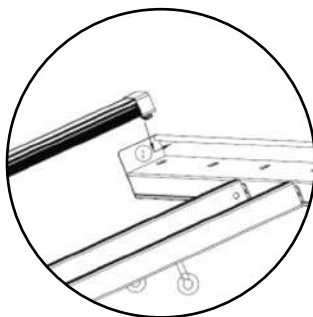


Подключите рамку В к опорному концу рамки рядом с выходом питания драйвера светодиода и гнездовыми разъемами затемнения.

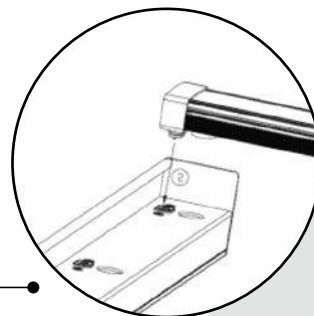
Обратите внимание на направление при установке; монтажный кронштейн драйвера светодиода находится сверху, когда прибор подвешен.

6.2 Подключение светодиодных полос

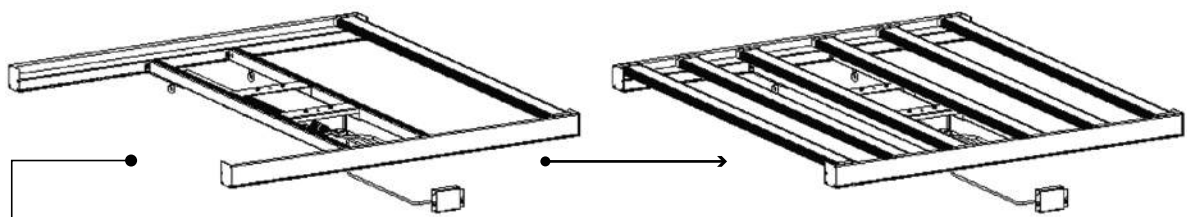
Предупреждение! Световые полосы поставляются с защитными пластиковыми крышками над диодами. Перед использованием убедитесь, что эти защитные крышки удалены!



Сначала установите конец крючка; вставьте крючок в квадратное отверстие.



Затем вставьте другой конец; совместите соединитель магнита световой балки с круглым отверстием на соединителе рамы и вставьте штыревой штифт в гнездо. Убедитесь, что магнитное соединение надежно.



- Соберите остальные световые планки в раму приспособления.

6.3 Подключение и отключение драйвера

Крепежные винты для
светодиодного
драйвера



Драйвер светодиода крепится к монтажному кронштейну с помощью стопорных винтов через кронштейн в опорной пластине драйвера. Для большей гибкости драйвер можно отсоединить от прибора и использовать удаленно с помощью удлинительных кабелей для светодиодных драйверов Lumatek 5 м (продаются отдельно).



Для подключения выхода драйвера и регулятора яркости к прибору; убедитесь, что самоблокирующиеся штекерные разъемы питания и затемнения правильно совмещены с соответствующими гнездовыми разъемами на драйвере, и сдвиньте их вместе до щелчка.

Отключите; поверните штекерный разъем против часовой стрелки, чтобы разблокировать, и отсоедините его от розетки.

6.4 Замена световых полос и модульное использование

В модульной конструкции светодиодного светильника используется интеллектуальный светодиодный драйвер, который может автоматически уменьшать или увеличивать мощность, чтобы соответствовать количеству 100 Вт световых полос, установленных в светильник. Если не все световые полосы требуются, драйвер будет потреблять мощность, необходимую для количества подключенных световых полос, например, если подключены три световых полосы, драйверы будут потреблять только 300 Вт для их питания.

Предупреждение! Необходимо установить хотя бы одну световую планку перед тем, как вы включите светильник.

6.5 Установка приспособления

Предупреждение! Установите систему на что-нибудь, способное выдержать вес светодиодного светильника.

Убедитесь, что все световые полосы установлены правильно и надежно. Осторожно переверните приспособление и прикрепите металлические подвески для кабелей к монтажным крюкам. Повесьте приспособление в нужном положении и на нужной высоте. Для оптимальной производительности; установите приспособление на 30–50 см над кроной растений, чтобы обеспечить световое распространение 1.4 x 1.4 м. Убедитесь, что приспособление подвешено горизонтально.



6.6 Подключение ручного диммера или внешнего контроллера освещения

Регулятор яркости или контроллер освещения подключается к разъему «SIG IN» на раме светильника, что дает возможность регулировать интенсивность света (выход PPF) в соответствии с требованиями. Интенсивность света светодиодной арматуры можно регулировать без изменения относительного распределения спектральной мощности или потери эффективности.

Снимите пылезащитный колпачок и убедитесь, что вилка и розетка правильно совмещены, а затем нажмите вместе до щелчка. Отключите; поверните поворотный фиксатор против часовой стрелки и разведите.



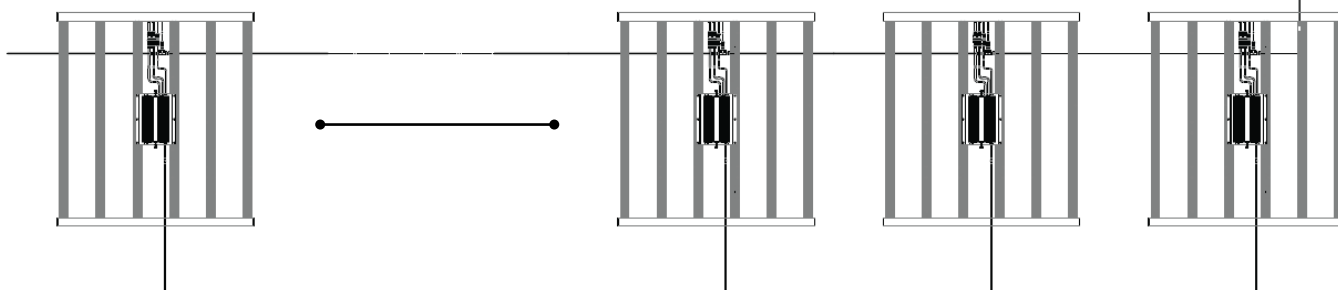
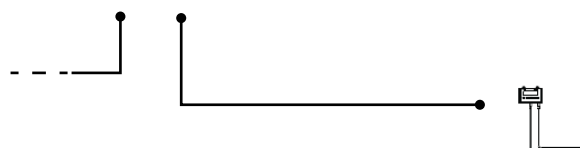
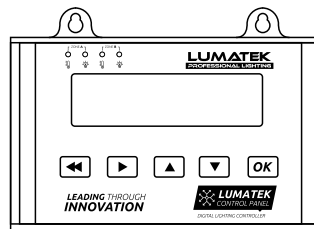
Подключите кабель ручного диммера или кабель контроллера освещения к порту СИГНАЛ ВХОДА.

6.7 Последовательное соединение светильников для внешнего управления

Подробные инструкции см. В руководстве к панели управления Lumatek.

Разместите и подвесьте каждое приспособление соответствующим образом. В светильниках серии Zeus для управления используется протокол сигнала 0-10 В.

- Подключите кабель выходного сигнала контроллера к разъему СИГНАЛ ВХОДА на приспособлении 1. Подключите шлейфовый кабель управляющего сигнала (продается отдельно) от разъема СИГНАЛЬНЫЙ ВЫХОД устройства 1 к разъему СИГНАЛ ВХОДА устройства 2.
- Продолжайте подключать приборы последовательно до 100 приборов на контроллер, см. Рис.



6.8 Подключение светодиодного светильника к сети

Предупреждение! Убедитесь, что сетевое питание отключено.

Предупреждение! Убедитесь, что кабель питания не скручен и не касается горячих поверхностей.

Предупреждение! Подключите кабели в соответствии с местными правилами, правилами техники безопасности и электротехническими правилами.

Предупреждение! Если внешний контроллер освещения не используется, убедитесь, что внешний коммутационный аппарат может выдерживать пусковой ток светодиодного светильника. Всегда используйте контактор таймера, который подходит для переключения емкостной нагрузки. Для включения светодиодного светильника никогда не используйте бытовые таймеры! Убедитесь, что коннектор с поворотным замком кабеля питания светодиодного светильника правильно совмещен с разъемом AC INPUT на раме светильника, и сдвиньте вместе до щелчка.

Отключите, поверните соединитель поворотного замка против часовой стрелки, чтобы разблокировать, и отсоедините от драйвера.

Подключите сетевой шнур к коммутационному устройству/источнику питания.

Включите сетевое питание.

7. МЕРЫ ПРЕДОСТОРОЖНОСТИ ПРИ ИСПОЛЬЗОВАНИИ СВЕТОДИОДНОГО СВЕТИЛЬНИКА

Предупреждение! Перед включением всегда проверяйте, чтобы к прибору была подключена хотя бы одна световая полоса. Светильник Zeus Pro оснащен интеллектуальным светодиодным драйвером, позволяющим увеличивать или уменьшать мощность, чтобы автоматически соответствовать количеству световых полос, подключенных к системе.

Предупреждение! Всегда подождите 20–30 минут, пока светодиодные полосы остынут, прежде чем брать прибор в руки.

8. ОСМОТР, ОБСЛУЖИВАНИЕ И РЕМОНТ

Предупреждение! Отключите светодиодный светильник от сети перед выполнением любых работ по техническому обслуживанию или ремонту.

Предупреждение! Не подключайте и не отключайте светодиодный светильник под нагрузкой.

Предупреждение! Не открывайте и не разбирайте светодиодный светильник, внутри он не содержит обслуживаемых деталей. Открытие светодиодного светильника может быть опасным и приведет к аннулированию гарантии.

Предупреждение! Всегда ждите 20-30 минут, пока светодиодные полосы остынут, прежде чем брать их в руки.

Осторожно! Не очищайте светодиодный светильник моющими, абразивными или другими агрессивными веществами.

Проверяйте регулярно светодиодный светильник на предмет скопления пыли или грязи. В случае необходимости произведите очистку. Загрязнение может вызвать перегрев и снижение производительности.

9. ХРАНЕНИЕ И УТИЛИЗАЦИЯ

Необходимо хранить светодиодный светильник в сухом и чистом месте при температуре окружающей среды от -25°C до 55°C.

Продукт нельзя выбрасывать вместе с несортированными бытовыми отходами, его следует собирать отдельно с целью обработки, восстановления и экологически безопасной утилизации.

10. ГАРАНТИЯ

Lumatek обеспечивает гарантию того, что механические и электронные компоненты данного продукта не имеют дефектов материалов и изготовления, если они используются в нормальных условиях эксплуатации в течение пяти (5) лет с даты первоначальной покупки. Если в течение этого периода в продукте обнаруживаются какие-либо дефекты, и этот дефект не является результатом ошибки пользователя или неправильного использования, Lumatek по своему усмотрению заменит или отремонтирует продукт, используя подходящие новые или восстановленные продукты или детали. В случае, если Lumatek решит заменить весь продукт, эта ограниченная гарантия будет применяться к замененному продукту в течение оставшегося первоначального гарантийного периода, то есть пяти (5) лет с даты покупки оригинального продукта. Для гарантийного обслуживания верните товар в магазин с оригиналом товарного чека.

LUMATEK
PROFESSIONAL LIGHTING



info@lumatek-lighting.com
www.lumatek-lighting.com



STAY UP TO DATE WITH OUR **SOCIAL MEDIA** CHANNELS



GENERAL : info@lumatek-lighting.com
SALES SUPPORT : orders@lumatek-lighting.com
TECHNICAL SUPPORT : techsupport@lumatek-lighting.com
CONTACT : +44(0)1233 280567

VISIT US AT **WWW.LUMATEK-LIGHTING.COM**